



Compressor  
Voltage Code : XG

# FH4532Z-XG

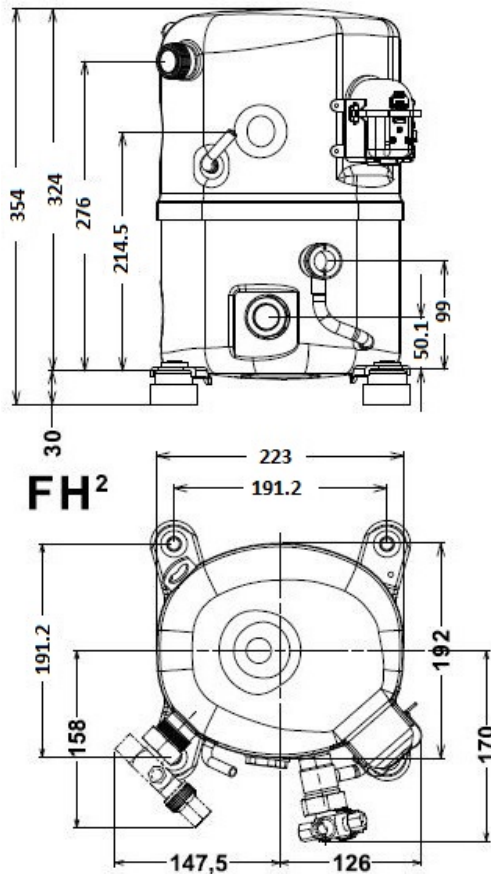
High Temp. Commercial (HP)

380-420V 3~ 50Hz / 460V 3~ 60 Hz

R452A / R404A / R448A / R449A

## FH4532Z-XG1A

| Conditions          | Frequency     | Nominal Cooling Capacity |               | Sound Power<br>ISO3745 / ISO 3743-1 |
|---------------------|---------------|--------------------------|---------------|-------------------------------------|
|                     |               | Watts                    | BTU/h         |                                     |
| EN12900_MHP / R452A | 50 Hz / 60 Hz | 3632 / 4427              | 12385 / 15097 | 73 dBA                              |
| EN12900_MHP / R404A | 50 Hz / 60 Hz | 3743 / 4562              | 12764 / 15557 | 73 dBA                              |
| EN12900_MHP / R448A | 50 Hz / 60 Hz | 3455 / 4212              | 11782 / 14363 | 73 dBA                              |
| EN12900_MHP / R449A | 50 Hz / 60 Hz | 3455 / 4212              | 11782 / 14363 | 73 dBA                              |



|                                     |                                |
|-------------------------------------|--------------------------------|
| <b>Displacement (cc)</b>            | 50,6                           |
| <b>Net Weight (Kg)</b>              | 29.0                           |
| <b>Oil Quantity (cc)</b>            | 1140.0                         |
| <b>Oil Type</b>                     | Polyolester                    |
| <b>Expansion Device</b>             | Capillary_Tube/Expansion_Valve |
| <b>Cooling</b>                      | Fan                            |
| <b>Main Winding (Ohm)</b>           | 5.0                            |
| <b>Current</b>                      |                                |
| RLA (A)                             | 4.1   4.5                      |
| MCC (A)                             | 7.3                            |
| LRA (A)                             | 30                             |
| <b>Electrical Equipment</b>         | TRI                            |
| <b>Overload</b>                     | Interne                        |
| <b>Refrigerating connection for</b> |                                |
| Suction Tube                        | 22.2 (7/8")                    |
| Discharge Tube                      | 12.7 (1/2")                    |
| Process Tube                        | 6.35 (1/4")                    |

\* EN12900\_MHP : T°Cond. 45.0°C / T°Evap. -10.0°C / T°Return gas temp.. 20.0°C  
T°Subcooling. 0.0K

Certificates :



Note : Tecumseh reserves the right to change information contained in this document without notification.



**Tecumseh**

|                   |  |
|-------------------|--|
| <b>FH4532Z-XG</b> | <b>Tension XG : 380-420V 3~ 50Hz / 460V 3~ 60 Hz</b> |
|-------------------|--|

Les performances sont données dans les **conditions EN12900\_MHP** :  
 Condition Dew  
 The performance data are in **EN12900\_MHP conditions** :  
 Dew Condition

Gaz aspirés : 20.0 °C  
 Sous refroidissement : 0.0 K  
 Return gas : 20.0 °C  
 Subcooling : 0.0 K

| <b>50 Hz R452A</b> |                    |        |      |      |      |      |      |      |      |       |                   |
|--------------------|--------------------|--------|------|------|------|------|------|------|------|-------|-------------------|
|                    |                    |        |      |      |      |      |      |      |      |       | <b>N°User-230</b> |
| 4   T condensation | 5   T évaporation  | (°C)   | -25  | -20  | -15  | -10  | -5   | 0    | 5    | 10    | 15                |
| <b>30</b>          | 1   P frigorifique | (Watt) | 2200 | 2972 | 3879 | 4943 | 6185 | 7626 | 9288 | 11191 | 13359             |
|                    | 2   P absorbée     | (W)    | 1114 | 1275 | 1418 | 1545 | 1656 | 1752 | 1834 | 1903  | 1959              |
|                    | 3   I absorbée     | (A)    | 2.20 | 2.38 | 2.55 | 2.69 | 2.82 | 2.94 | 3.04 | 3.14  | 3.24              |
| <b>40</b>          | 1   P frigorifique | (Watt) |      | 2345 | 3148 | 4074 | 5143 | 6376 | 7795 | 9421  | 11276             |
|                    | 2   P absorbée     | (W)    |      | 1337 | 1525 | 1696 | 1849 | 1986 | 2107 | 2213  | 2305              |
|                    | 3   I absorbée     | (A)    |      | 2.43 | 2.67 | 2.88 | 3.08 | 3.25 | 3.40 | 3.55  | 3.68              |
| <b>50</b>          | 1   P frigorifique | (Watt) |      |      | 2411 | 3189 | 4076 | 5093 | 6260 | 7601  | 9135              |
|                    | 2   P absorbée     | (W)    |      |      | 1598 | 1817 | 2017 | 2200 | 2365 | 2515  | 2648              |
|                    | 3   I absorbée     | (A)    |      |      | 2.74 | 3.04 | 3.30 | 3.54 | 3.76 | 3.96  | 4.15              |
| <b>60</b>          | 1   P frigorifique | (Watt) |      |      |      | 2314 | 3011 | 3803 | 4711 | 5757  | 6961              |
|                    | 2   P absorbée     | (W)    |      |      |      | 1904 | 2157 | 2391 | 2606 | 2803  | 2983              |
|                    | 3   I absorbée     | (A)    |      |      |      | 3.13 | 3.48 | 3.81 | 4.10 | 4.37  | 4.62              |

| <b>60 Hz R452A</b> |                    |        |      |      |      |      |      |      |       |       |                   |
|--------------------|--------------------|--------|------|------|------|------|------|------|-------|-------|-------------------|
|                    |                    |        |      |      |      |      |      |      |       |       | <b>N°User-230</b> |
| 4   T condensation | 5   T évaporation  | (°C)   | -25  | -20  | -15  | -10  | -5   | 0    | 5     | 10    | 15                |
| <b>30</b>          | 1   P frigorifique | (Watt) | 2606 | 3578 | 4684 | 5950 | 7399 | 9058 | 10952 | 13105 | 15543             |
|                    | 2   P absorbée     | (W)    | 1306 | 1520 | 1716 | 1890 | 2040 | 2165 | 2262  | 2329  | 2363              |
|                    | 3   I absorbée     | (A)    | 2.32 | 2.54 | 2.75 | 2.93 | 3.11 | 3.28 | 3.45  | 3.61  | 3.78              |
| <b>40</b>          | 1   P frigorifique | (Watt) |      | 2809 | 3824 | 4959 | 6240 | 7691 | 9338  | 11206 | 13320             |
|                    | 2   P absorbée     | (W)    |      | 1567 | 1813 | 2041 | 2250 | 2437 | 2601  | 2738  | 2847              |
|                    | 3   I absorbée     | (A)    |      | 2.59 | 2.86 | 3.11 | 3.34 | 3.56 | 3.76  | 3.96  | 4.16              |
| <b>50</b>          | 1   P frigorifique | (Watt) |      |      | 2902 | 3882 | 4968 | 6186 | 7561  | 9118  | 10882             |
|                    | 2   P absorbée     | (W)    |      |      | 1863 | 2138 | 2398 | 2641 | 2864  | 3065  | 3241              |
|                    | 3   I absorbée     | (A)    |      |      | 2.90 | 3.22 | 3.52 | 3.80 | 4.06  | 4.31  | 4.55              |
| <b>60</b>          | 1   P frigorifique | (Watt) |      |      |      | 2784 | 3650 | 4609 | 5685  | 6905  | 8294              |
|                    | 2   P absorbée     | (W)    |      |      |      | 2187 | 2491 | 2782 | 3057  | 3314  | 3552              |
|                    | 3   I absorbée     | (A)    |      |      |      | 3.24 | 3.62 | 3.98 | 4.31  | 4.62  | 4.92              |

1 = cooling capacity 2 = power input 3 = current 4 = condensing temperature 5 = evaporating temperature

**Nota : Tecumseh se réserve le droit de modifier les informations contenues dans ce document sans préavis.**  
**Note : Tecumseh reserves the right to change information contained in this document without notification.**

© 2023 Tecumseh Products Company  
All rights reserved



**Tecumseh**

|                   |  |
|-------------------|--|
| <b>FH4532Z-XG</b> | <b>Tension XG : 380-420V 3~ 50Hz / 460V 3~ 60 Hz</b> |
|-------------------|--|

Les performances sont données dans les **conditions EN12900\_MHP** :  
 Condition Dew  
 The performance data are in **EN12900\_MHP conditions** :  
 Dew Condition

Gaz aspirés : 20.0 °C  
 Sous refroidissement : 0.0 K  
 Return gas : 20.0 °C  
 Subcooling : 0.0 K

© 2023 Tecumseh Products Company  
All rights reserved

**50 Hz R404A**

**N°User-229**

| 4   T condensation | 5   T évaporation  | (°C)   | -25  | -20  | -15  | -10  | -5   | 0    | 5    | 10    | 15    |
|--------------------|--------------------|--------|------|------|------|------|------|------|------|-------|-------|
| <b>30</b>          | 1   P frigorifique | (Watt) | 2371 | 3135 | 4039 | 5102 | 6344 | 7785 | 9443 | 11340 | 13494 |
|                    | 2   P absorbée     | (W)    | 1194 | 1357 | 1502 | 1629 | 1736 | 1822 | 1886 | 1927  | 1944  |
|                    | 3   I absorbée     | (A)    | 2.35 | 2.54 | 2.70 | 2.84 | 2.96 | 3.05 | 3.13 | 3.18  | 3.21  |
| <b>40</b>          | 1   P frigorifique | (Watt) | 1815 | 2502 | 3291 | 4202 | 5256 | 6470 | 7867 | 9463  | 11281 |
|                    | 2   P absorbée     | (W)    | 1225 | 1427 | 1613 | 1783 | 1935 | 2068 | 2180 | 2272  | 2341  |
|                    | 3   I absorbée     | (A)    | 2.34 | 2.59 | 2.82 | 3.03 | 3.22 | 3.38 | 3.52 | 3.64  | 3.74  |
| <b>50</b>          | 1   P frigorifique | (Watt) |      | 1861 | 2529 | 3282 | 4140 | 5122 | 6248 | 7539  | 9012  |
|                    | 2   P absorbée     | (W)    |      | 1477 | 1703 | 1913 | 2108 | 2286 | 2445 | 2585  | 2704  |
|                    | 3   I absorbée     | (A)    |      | 2.62 | 2.92 | 3.20 | 3.45 | 3.68 | 3.89 | 4.07  | 4.24  |
| <b>60</b>          | 1   P frigorifique | (Watt) |      |      | 1783 | 2370 | 3025 | 3767 | 4617 | 5593  | 6716  |
|                    | 2   P absorbée     | (W)    |      |      | 1782 | 2032 | 2268 | 2488 | 2692 | 2878  | 3046  |
|                    | 3   I absorbée     | (A)    |      |      | 3.00 | 3.34 | 3.66 | 3.96 | 4.24 | 4.49  | 4.71  |

**60 Hz R404A**

**N°User-229**

| 4   T condensation | 5   T évaporation  | (°C)   | -25  | -20  | -15  | -10  | -5   | 0    | 5     | 10    | 15    |
|--------------------|--------------------|--------|------|------|------|------|------|------|-------|-------|-------|
| <b>30</b>          | 1   P frigorifique | (Watt) | 2809 | 3775 | 4878 | 6142 | 7590 | 9247 | 11135 | 13278 | 15701 |
|                    | 2   P absorbée     | (W)    | 1400 | 1618 | 1817 | 1992 | 2137 | 2250 | 2326  | 2359  | 2347  |
|                    | 3   I absorbée     | (A)    | 2.49 | 2.71 | 2.91 | 3.09 | 3.26 | 3.41 | 3.54  | 3.65  | 3.74  |
| <b>40</b>          | 1   P frigorifique | (Watt) | 2093 | 2996 | 3996 | 5115 | 6377 | 7806 | 9424  | 11257 | 13327 |
|                    | 2   P absorbée     | (W)    | 1415 | 1673 | 1918 | 2147 | 2354 | 2537 | 2690  | 2810  | 2891  |
|                    | 3   I absorbée     | (A)    | 2.49 | 2.77 | 3.02 | 3.27 | 3.50 | 3.71 | 3.90  | 4.07  | 4.22  |
| <b>50</b>          | 1   P frigorifique | (Watt) |      | 2173 | 3045 | 3995 | 5046 | 6222 | 7547  | 9044  | 10736 |
|                    | 2   P absorbée     | (W)    |      | 1708 | 1984 | 2252 | 2507 | 2744 | 2960  | 3150  | 3310  |
|                    | 3   I absorbée     | (A)    |      | 2.78 | 3.09 | 3.39 | 3.68 | 3.95 | 4.20  | 4.43  | 4.65  |
| <b>60</b>          | 1   P frigorifique | (Watt) |      |      | 2096 | 2851 | 3667 | 4566 | 5572  | 6709  | 8001  |
|                    | 2   P absorbée     | (W)    |      |      | 2041 | 2332 | 2619 | 2896 | 3159  | 3404  | 3627  |
|                    | 3   I absorbée     | (A)    |      |      | 3.11 | 3.47 | 3.81 | 4.14 | 4.45  | 4.74  | 5.02  |

1 = cooling capacity 2 = power input 3 = current 4 = condensing temperature 5 = evaporating temperature

**Nota : Tecumseh se réserve le droit de modifier les informations contenues dans ce document sans préavis.**

**Note : Tecumseh reserves the right to change information contained in this document without notification.**



**Tecumseh**

|                   |  |
|-------------------|--|
| <b>FH4532Z-XG</b> | <b>Tension XG : 380-420V 3~ 50Hz / 460V 3~ 60 Hz</b> |
|-------------------|--|

Les performances sont données dans les **conditions EN12900\_MHP** :  
 Condition Dew  
 The performance data are in **EN12900\_MHP conditions** :  
 Dew Condition

Gaz aspirés : 20.0 °C  
 Sous refroidissement : 0.0 K  
 Return gas : 20.0 °C  
 Subcooling : 0.0 K

© 2023 Tecumseh Products Company  
All rights reserved

**50 Hz R448A (\*)**

**N°User-232**

| 4   T condensation | 5   T évaporation  | (°C)   | -25  | -20  | -15  | -10  | -5   | 0    | 5    | 10    | 15    |
|--------------------|--------------------|--------|------|------|------|------|------|------|------|-------|-------|
| <b>30</b>          | 1   P frigorifique | (Watt) | 1958 | 2685 | 3556 | 4594 | 5822 | 7263 | 8942 | 10880 | 13102 |
|                    | 2   P absorbée     | (W)    | 1051 | 1197 | 1331 | 1452 | 1558 | 1645 | 1712 | 1757  | 1777  |
|                    | 3   I absorbée     | (A)    | 2.07 | 2.24 | 2.39 | 2.53 | 2.65 | 2.76 | 2.84 | 2.90  | 2.94  |
| <b>40</b>          | 1   P frigorifique | (Watt) |      | 2156 | 2929 | 3839 | 4908 | 6160 | 7618 | 9305  | 11245 |
|                    | 2   P absorbée     | (W)    |      | 1263 | 1435 | 1595 | 1742 | 1873 | 1985 | 2078  | 2148  |
|                    | 3   I absorbée     | (A)    |      | 2.30 | 2.51 | 2.71 | 2.90 | 3.06 | 3.21 | 3.33  | 3.43  |
| <b>50</b>          | 1   P frigorifique | (Watt) |      |      | 2295 | 3073 | 3979 | 5036 | 6270 | 7702  | 9356  |
|                    | 2   P absorbée     | (W)    |      |      | 1518 | 1720 | 1910 | 2087 | 2248 | 2391  | 2513  |
|                    | 3   I absorbée     | (A)    |      |      | 2.61 | 2.88 | 3.13 | 3.36 | 3.58 | 3.77  | 3.94  |
| <b>60</b>          | 1   P frigorifique | (Watt) |      |      |      | 2329 | 3068 | 3927 | 4932 | 6104  | 7468  |
|                    | 2   P absorbée     | (W)    |      |      |      | 1827 | 2064 | 2290 | 2501 | 2697  | 2874  |
|                    | 3   I absorbée     | (A)    |      |      |      | 3.01 | 3.34 | 3.65 | 3.94 | 4.20  | 4.45  |

**60 Hz R448A (\*)**

**N°User-232**

| 4   T condensation | 5   T évaporation  | (°C)   | -25  | -20  | -15  | -10  | -5   | 0    | 5     | 10    | 15    |
|--------------------|--------------------|--------|------|------|------|------|------|------|-------|-------|-------|
| <b>30</b>          | 1   P frigorifique | (Watt) | 2319 | 3233 | 4294 | 5529 | 6965 | 8628 | 10544 | 12741 | 15244 |
|                    | 2   P absorbée     | (W)    | 1232 | 1427 | 1611 | 1776 | 1918 | 2032 | 2111  | 2151  | 2145  |
|                    | 3   I absorbée     | (A)    | 2.19 | 2.39 | 2.58 | 2.76 | 2.93 | 3.08 | 3.22  | 3.33  | 3.42  |
| <b>40</b>          | 1   P frigorifique | (Watt) |      | 2582 | 3558 | 4673 | 5956 | 7431 | 9127  | 11069 | 13283 |
|                    | 2   P absorbée     | (W)    |      | 1481 | 1706 | 1920 | 2120 | 2298 | 2450  | 2570  | 2654  |
|                    | 3   I absorbée     | (A)    |      | 2.45 | 2.69 | 2.92 | 3.15 | 3.36 | 3.55  | 3.72  | 3.87  |
| <b>50</b>          | 1   P frigorifique | (Watt) |      |      | 2764 | 3741 | 4849 | 6118 | 7572  | 9239  | 11145 |
|                    | 2   P absorbée     | (W)    |      |      | 1769 | 2024 | 2271 | 2505 | 2721  | 2913  | 3076  |
|                    | 3   I absorbée     | (A)    |      |      | 2.76 | 3.05 | 3.33 | 3.61 | 3.86  | 4.10  | 4.32  |
| <b>60</b>          | 1   P frigorifique | (Watt) |      |      |      | 2803 | 3718 | 4759 | 5951  | 7323  | 8900  |
|                    | 2   P absorbée     | (W)    |      |      |      | 2097 | 2384 | 2665 | 2935  | 3190  | 3423  |
|                    | 3   I absorbée     | (A)    |      |      |      | 3.12 | 3.47 | 3.81 | 4.14  | 4.45  | 4.74  |

1 = cooling capacity 2 = power input 3 = current 4 = condensing temperature 5 = evaporating temperature

(\*) Veuillez vous référer strictement aux Recommandations d'Utilisation et Bulletins Marketing Tecumseh du fait de la température de reflux élevée pour les applications LBP.

(\*) Due to very high discharge temperature especially on LBP conditions, please strictly refer to Tecumseh Guidelines & Marketing Bulletin when using this refrigerant.

**Nota : Tecumseh se réserve le droit de modifier les informations contenues dans ce document sans préavis.**

**Note : Tecumseh reserves the right to change information contained in this document without notification.**



**Tecumseh**

|                   |  |
|-------------------|--|
| <b>FH4532Z-XG</b> | <b>Tension XG : 380-420V 3~ 50Hz / 460V 3~ 60 Hz</b> |
|-------------------|--|

|  |                        |         |
|--|------------------------|---------|
| Les performances sont données dans les <b>conditions EN12900_MHP</b> : | Gaz aspirés :          | 20.0 °C |
| Condition Dew  | Sous refroidissement : | 0.0 K   |
| The performance data are in <b>EN12900_MHP conditions</b> :            | Return gas :           | 20.0 °C |
| Dew Condition  | Subcooling :           | 0.0 K   |

| <b>50 Hz R449A (*)</b> |                    |        |      |      |      |      |      |      |      |       |                   |
|------------------------|--------------------|--------|------|------|------|------|------|------|------|-------|-------------------|
|                        |                    |        |      |      |      |      |      |      |      |       | <b>N°User-231</b> |
| 4   T condensation     | 5   T évaporation  | (°C)   | -25  | -20  | -15  | -10  | -5   | 0    | 5    | 10    | 15                |
| <b>30</b>              | 1   P frigorifique | (Watt) | 1958 | 2685 | 3556 | 4594 | 5822 | 7263 | 8942 | 10880 | 13102             |
|                        | 2   P absorbée     | (W)    | 1051 | 1197 | 1331 | 1452 | 1558 | 1645 | 1712 | 1757  | 1777              |
|                        | 3   I absorbée     | (A)    | 2.07 | 2.24 | 2.39 | 2.53 | 2.65 | 2.76 | 2.84 | 2.90  | 2.94              |
| <b>40</b>              | 1   P frigorifique | (Watt) |      | 2156 | 2929 | 3839 | 4908 | 6160 | 7618 | 9305  | 11245             |
|                        | 2   P absorbée     | (W)    |      | 1263 | 1435 | 1595 | 1742 | 1873 | 1985 | 2078  | 2148              |
|                        | 3   I absorbée     | (A)    |      | 2.30 | 2.51 | 2.71 | 2.90 | 3.06 | 3.21 | 3.33  | 3.43              |
| <b>50</b>              | 1   P frigorifique | (Watt) |      |      | 2295 | 3073 | 3979 | 5036 | 6270 | 7702  | 9356              |
|                        | 2   P absorbée     | (W)    |      |      | 1518 | 1720 | 1910 | 2087 | 2248 | 2391  | 2513              |
|                        | 3   I absorbée     | (A)    |      |      | 2.61 | 2.88 | 3.13 | 3.36 | 3.58 | 3.77  | 3.94              |
| <b>60</b>              | 1   P frigorifique | (Watt) |      |      |      | 2329 | 3068 | 3927 | 4932 | 6104  | 7468              |
|                        | 2   P absorbée     | (W)    |      |      |      | 1827 | 2064 | 2290 | 2501 | 2697  | 2874              |
|                        | 3   I absorbée     | (A)    |      |      |      | 3.01 | 3.34 | 3.65 | 3.94 | 4.20  | 4.45              |

| <b>60 Hz R449A (*)</b> |                    |        |      |      |      |      |      |      |       |       |                   |
|------------------------|--------------------|--------|------|------|------|------|------|------|-------|-------|-------------------|
|                        |                    |        |      |      |      |      |      |      |       |       | <b>N°User-231</b> |
| 4   T condensation     | 5   T évaporation  | (°C)   | -25  | -20  | -15  | -10  | -5   | 0    | 5     | 10    | 15                |
| <b>30</b>              | 1   P frigorifique | (Watt) | 2319 | 3233 | 4294 | 5529 | 6965 | 8628 | 10544 | 12741 | 15244             |
|                        | 2   P absorbée     | (W)    | 1232 | 1427 | 1611 | 1776 | 1918 | 2032 | 2111  | 2151  | 2145              |
|                        | 3   I absorbée     | (A)    | 2.19 | 2.39 | 2.58 | 2.76 | 2.93 | 3.08 | 3.22  | 3.33  | 3.42              |
| <b>40</b>              | 1   P frigorifique | (Watt) |      | 2582 | 3558 | 4673 | 5956 | 7431 | 9127  | 11069 | 13283             |
|                        | 2   P absorbée     | (W)    |      | 1481 | 1706 | 1920 | 2120 | 2298 | 2450  | 2570  | 2654              |
|                        | 3   I absorbée     | (A)    |      | 2.45 | 2.69 | 2.92 | 3.15 | 3.36 | 3.55  | 3.72  | 3.87              |
| <b>50</b>              | 1   P frigorifique | (Watt) |      |      | 2764 | 3741 | 4849 | 6118 | 7572  | 9239  | 11145             |
|                        | 2   P absorbée     | (W)    |      |      | 1769 | 2024 | 2271 | 2505 | 2721  | 2913  | 3076              |
|                        | 3   I absorbée     | (A)    |      |      | 2.76 | 3.05 | 3.33 | 3.61 | 3.86  | 4.10  | 4.32              |
| <b>60</b>              | 1   P frigorifique | (Watt) |      |      |      | 2803 | 3718 | 4759 | 5951  | 7323  | 8900              |
|                        | 2   P absorbée     | (W)    |      |      |      | 2097 | 2384 | 2665 | 2935  | 3190  | 3423              |
|                        | 3   I absorbée     | (A)    |      |      |      | 3.12 | 3.47 | 3.81 | 4.14  | 4.45  | 4.74              |

**1 = cooling capacity 2 = power input 3 = current 4 = condensing temperature 5 = evaporating temperature**

(\*) Veuillez vous référer strictement aux Recommandations d'Utilisation et Bulletins Marketing Tecumseh du fait de la température de refoulement élevée pour les applications LBP.  
 (\*) Due to very high discharge temperature especially on LBP conditions, please strictly refer to Tecumseh Guidelines & Marketing Bulletin when using this refrigerant.

**Nota : Tecumseh se réserve le droit de modifier les informations contenues dans ce document sans préavis.**  
**Note : Tecumseh reserves the right to change information contained in this document without notification.**

© 2023 Tecumseh Products Company  
All rights reserved