



Compressor  
Voltage Code : XC

# FH4518Y-XC

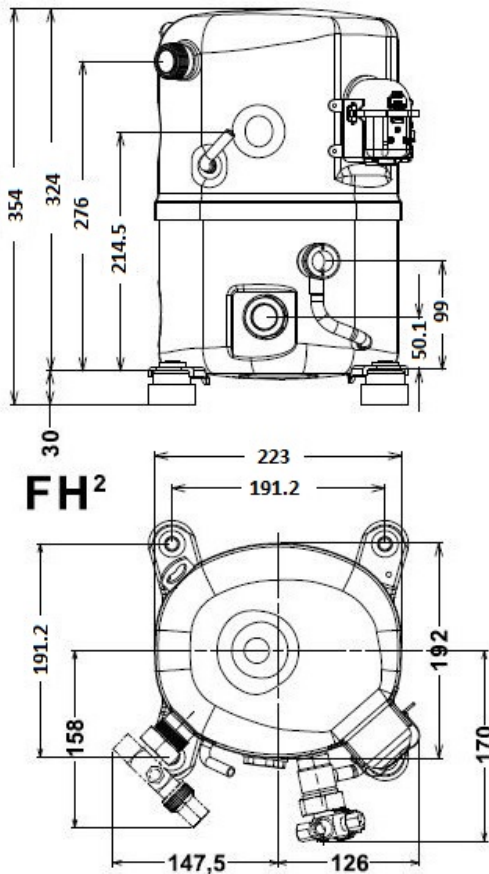
High Temp. Commercial (HP)

220 - 240V 1~ 50 Hz

R134a / R513A

# FH4518Y-XC3A

Conditions	Frequency	Nominal Cooling Capacity		Sound Power ISO3745 / ISO 3743-1
		Watts	BTU/h	
EN12900_MHP / R134a	50 Hz	2052	6999	70 dBA
EN12900_MHP / R513A	50 Hz	2183	7445	70 dBA



<b>Displacement (cc)</b>	48,5
<b>Net Weight (Kg)</b>	30.0
<b>Oil Quantity (cc)</b>	1140.0
<b>Oil Type</b>	Polyolester
<b>Expansion Device</b>	Capillary_Tube/Expansion_Valve
<b>Cooling</b>	Fan
<b>Main Winding (Ohm)</b>	1.95
<b>Start Winding (Ohm)</b>	5.51
<b>Current</b>	
RLA (A)	6.75
MCC (A)	10.7
LRA (A)	40
<b>Electrical Equipment</b>	CSR
<b>Overload</b>	Interne
<b>Start Capacitor</b>	88 µF / 330 V
<b>Run Capacitor</b>	35 µF / 400 V
<b>Potential Relay</b>	RVA4G**
Pick Up	180/195V
Drop Out	40/105V
<b>Refrigerating connection for</b>	
Suction Tube	15.9 (5/8")
Discharge Tube	12.7 (1/2")
Process Tube	6.35 (1/4")

\* EN12900\_MHP : T°Cond. 45.0°C / T°Evap. -10.0°C / T°Return gas temp.. 20.0°C  
T°Subcooling. 0.0K

Certificates :



Note : Tecumseh reserves the right to change information contained in this document without notification.



**Tecumseh**

<b>FH4518Y-XC</b>	<b>Tension XC : 220 - 240V 1~ 50 Hz</b>
-------------------	---

Les performances sont données dans les **conditions EN12900\_MHP** :  
 Condition Dew  
 The performance data are in **EN12900\_MHP conditions** :  
 Dew Condition

Gaz aspirés : 20.0 °C  
 Sous refroidissement : 0.0 K  
 Return gas : 20.0 °C  
 Subcooling : 0.0 K

© 2023 Tecumseh Products Company  
All rights reserved

**50 Hz R134a**

**N°User-353**

4   T condensation	5   T évaporation	(°C)	-25	-20	-15	-10	-5	0	5	10	15
<b>30</b>	1   P frigorifique	(Watt)	1059	1523	2090	2778	3604	4584	5735	7074	8618
	2   P absorbée	(W)	604	704	793	875	952	1029	1109	1196	1293
	3   I absorbée	(A)	2.92	3.38	3.82	4.22	4.60	4.94	5.26	5.55	5.81
<b>40</b>	1   P frigorifique	(Watt)	777	1193	1687	2277	2979	3810	4787	5928	7248
	2   P absorbée	(W)	579	716	839	949	1051	1149	1246	1345	1450
	3   I absorbée	(A)	2.72	3.31	3.88	4.41	4.92	5.40	5.85	6.27	6.66
<b>50</b>	1   P frigorifique	(Watt)		892	1332	1843	2441	3143	3966	4927	6043
	2   P absorbée	(W)		685	851	1002	1140	1269	1393	1515	1640
	3   I absorbée	(A)		3.22	3.91	4.58	5.22	5.83	6.41	6.96	7.49
<b>60</b>	1   P frigorifique	(Watt)			1006	1457	1971	2564	3252	4054	4985
	2   P absorbée	(W)			819	1020	1204	1376	1538	1695	1850
	3   I absorbée	(A)			3.93	4.73	5.50	6.24	6.95	7.64	8.29

**50 Hz R513A**

**N°User-354**

4   T condensation	5   T évaporation	(°C)	-25	-20	-15	-10	-5	0	5	10	15
<b>30</b>	1   P frigorifique	(Watt)	1219	1722	2318	3020	3840	4792	5888	7140	8563
	2   P absorbée	(W)	671	772	859	937	1014	1097	1194	1311	1456
	3   I absorbée	(A)	3.24	3.71	4.13	4.52	4.90	5.27	5.66	6.08	6.55
<b>40</b>	1   P frigorifique	(Watt)	875	1320	1839	2446	3154	3975	4922	6008	7246
	2   P absorbée	(W)	631	778	903	1012	1112	1211	1317	1435	1574
	3   I absorbée	(A)	2.96	3.60	4.17	4.70	5.20	5.69	6.18	6.69	7.23
<b>50</b>	1   P frigorifique	(Watt)		973	1421	1938	2537	3233	4036	4961	6020
	2   P absorbée	(W)		729	907	1062	1200	1331	1459	1594	1741
	3   I absorbée	(A)		3.42	4.17	4.85	5.50	6.12	6.72	7.33	7.95
<b>60</b>	1   P frigorifique	(Watt)			1069	1501	1998	2572	3237	4004	4888
	2   P absorbée	(W)			855	1070	1263	1439	1606	1772	1943
	3   I absorbée	(A)			4.10	4.96	5.77	6.53	7.26	7.98	8.71

1 = cooling capacity 2 = power input 3 = current 4 = condensing temperature 5 = evaporating temperature

**Nota : Tecumseh se réserve le droit de modifier les informations contenues dans ce document sans préavis.**

**Note : Tecumseh reserves the right to change information contained in this document without notification.**