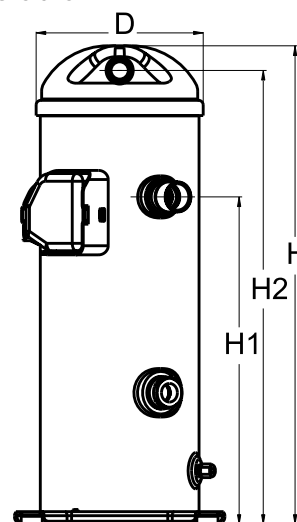


General Characteristics

Model number (on compressor nameplate)	MLZ066T4LC9	MLZ066T4LC9
Code number for Singlepack*	121U8020	120U8020
Code number for Industrial pack**	121U8019	120U8019
Drawing number	0SR6167B-3	0SR6167B-3
Suction and discharge connections	Brazed	Brazed
Suction connection	1-1/8" ODF	1-1/8" ODF
Discharge connection	7/8" ODF	7/8" ODF
Oil sight glass	Threaded	Threaded
Oil equalisation connection	None	None
Oil drain connection	1/4" flare	1/4" flare
LP gauge port	None	None
IPR valve	None	None
Swept volume	148,8 cm ³ /rev	
Displacement @ Nominal speed	25.9 m ³ /h @ 2900 rpm - 31.3 m ³ /h @ 3500 rpm	
Net weight	47 kg	
Oil charge	2,66 litre, PVE --	
Maximum system test pressure Low Side / High side	- bar(g) / - bar(g)	
Maximum differential test pressure	- bar	
Maximum number of starts per hour	12	
Refrigerant charge limit	7,26 kg	
Approved refrigerants	R404A, R507, R134a, R407A, R407C, R407F, R22	

Dimensions

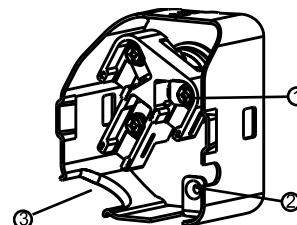


D=185 mm
H=545 mm
H1=369 mm
H2=509 mm
H3=- mm

Electrical Characteristics

Nominal voltage	380-400V/3/50Hz - 460V/3/60Hz
Voltage range	340-460 V @ 50Hz - 414-506 V @ 60Hz
Winding resistance between phases 1-2 +/- 7% at 25°C	1.326 Ω
Winding resistance between phases 1-3 +/- 7% at 25°C	1.276 Ω
Winding resistance between phases 2-3 +/- 7% at 25°C	1.293 Ω
Rated Load Amps (RLA)	16 A
Maximum Continuous Current (MCC)	24 A
Locked Rotor Amps (LRA)	110 A
Motor protection	Internal overload protector

Terminal box



IP22

- 1: Screw connectors 10-32 UNF x 9.5
- 2: Earth connection
- 3: Power cable passage

Recommended Installation torques

Suction Rotolock nut or valve	0 Nm
Discharge Rotolock nut or valve	0 Nm
Oil sight glass	52,5 Nm
Power connections / Earth connection	3 Nm / 2 Nm

Parts shipped with compressor

Mounting kit with grommets and sleeves
Initial oil charge
Installation instructions

Approvals : CE certified, UL certified (file SA11565), -

*Singlepack: Compressor in cardboard box. 121U... optimised for Danfoss pallet, 120U... optimised for US pallet

**Industrial pack: 121U...: 12 unboxed compressors on Danfoss pallet. 120U...: 16 unboxed compressors on US pallet

Rotolock accessories, suction side

Code no.

Solder sleeve, P02 (1-3/4" Rotolock, 1-1/8" ODF)	8153004
Angle adapter, C02 (1-3/4" Rotolock, 1-1/8" ODF)	8168005
Rotolock valve, V02 (1-3/4" Rotolock, 1-1/8" ODF)	8168028
Gasket, 1-3/4"	8156132

Rotolock accessories, discharge side

Code no.

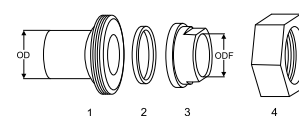
Rotolock valve, V05 (1-1/4" Rotolock, 7/8" ODF)	8168030
Gasket, 1-3/4"	8156132

Rotolock accessories, sets

Code no.

Solder sleeve adapter set (1-3/4" Rotolock, 1-1/8" ODF), (1-1/4" Rotolock, 7/8" ODF)	120Z0125
Valve set, V02(1"3/4~1"1/8), V05(1"1/4~7/8")	120Z0403
Gasket set, 1", 1-1/4", 1-3/4", OSG gaskets black & white	8156009

Solder sleeve adapter set



- 1: Rotolock adapter (Suc & Dis)
- 2: Gasket (Suc & Dis)
- 3: Solder sleeve (Suc & Dis)
- 4: Rotolock nut (Suc & Dis)

Oil / lubricants

Code no.

PVE lubricant, 320HV (FVC68D), 1 litre can	120Z5034
--	----------

Crankcase heaters

Code no.

Belt type crankcase heater, 70 W, 230 V, UL	120Z5011
Belt type crankcase heater, 65 W, 230 V, CE mark, UL	120Z0059
Belt type crankcase heater, 65 W, 400 V, CE mark, UL	120Z0060
Belt type crankcase heater, 70 W, 460 V, UL	120Z5012

Miscellaneous accessories

Code no.

Acoustic hood	120Z5045
Discharge thermostat kit	7750009

Spare parts

Code no.

Mounting kit for 1 scroll compressor including 4 grommets, 4 sleeves, 4 bolts, 4 washers	120Z5005
--	----------

Performance data at 50 Hz, EN 12900 rating conditions, Superheat = 10 K
R22

Cond. temp. in °C (tc)	Evaporating temperature in °C (to)							
	-20	-15	-10	-5	0	5	10	

Cooling capacity in W

16	11 943	14 987	18 626	22 834	-	-	-	-	-
20	11 417	14 368	17 902	21 991	26 607	-	-	-	-
30	10 367	13 088	16 357	20 151	24 444	29 203	34 389	-	-
40	9 438	11 930	14 935	18 436	22 407	26 823	31 646	-	-
50	-	10 580	13 324	16 532	20 184	24 258	28 723	-	-
60	-	-	-	14 132	17 465	21 198	25 307	-	-
68	-	-	-	-	-	18 187	22 010	-	-

Power input in W

16	2 967	2 953	2 933	2 927	-	-	-	-	-
20	3 409	3 416	3 410	3 413	3 448	-	-	-	-
30	4 342	4 398	4 425	4 448	4 488	4 568	4 711	-	-
40	5 236	5 336	5 394	5 433	5 475	5 542	5 658	-	-
50	-	6 486	6 572	6 624	6 664	6 716	6 800	-	-
60	-	-	-	8 276	8 312	8 344	8 395	-	-
68	-	-	-	-	-	10 147	10 169	-	-

Current consumption in A

16	5.71	5.68	5.64	5.63	-	-	-	-	-
20	6.56	6.57	6.56	6.57	6.64	-	-	-	-
30	8.36	8.46	8.52	8.56	8.64	8.79	9.07	-	-
40	10.08	10.27	10.38	10.46	10.54	10.67	10.89	-	-
50	-	12.48	12.65	12.75	12.83	12.92	13.09	-	-
60	-	-	-	15.93	16.00	16.06	16.16	-	-
68	-	-	-	-	-	19.53	19.57	-	-

Mass flow in kg/h

16	235	288	350	423	-	-	-	-	-
20	235	288	350	422	504	-	-	-	-
30	231	285	348	420	501	590	687	-	-
40	220	276	341	414	495	584	681	-	-
50	-	259	326	401	484	574	671	-	-
60	-	-	-	380	466	558	657	-	-
68	-	-	-	-	-	539	640	-	-

Coefficient of performance (C.O.P.)

16	4.03	5.07	6.35	7.80	-	-	-	-	-
20	3.35	4.21	5.25	6.44	7.72	-	-	-	-
30	2.39	2.98	3.70	4.53	5.45	6.39	7.30	-	-
40	1.80	2.24	2.77	3.39	4.09	4.84	5.59	-	-
50	-	1.63	2.03	2.50	3.03	3.61	4.22	-	-
60	-	-	-	1.71	2.10	2.54	3.01	-	-
68	-	-	-	-	-	1.79	2.16	-	-

Nominal performance at to = -10 °C, tc = 45 °C

Cooling capacity	14 173	W
Power input	5 941	W
Current consumption	11.43	A
Mass flow	335	kg/h
C.O.P.	2.39	

Pressure switch settings

Maximum HP switch setting	29.8	bar(g)
Minimum LP switch setting	0.5	bar(g)
LP pump down setting	0.95	bar(g)

Sound power data

Sound power level	74	dB(A)
With acoustic hood	66	dB(A)

to: Evaporating temperature at dew point

tc: Condensing temperature at dew point

Rating conditions : Superheat = 10 K , Subcooling = 0 K

All performance data +/- 5%

Performance data at 50 Hz, EN 12900 rating conditions, Suction temp. = 20 °C
R22

Cond. temp. in °C (tc)	Evaporating temperature in °C (to)							
	-20	-15	-10	-5	0	5	10	

Cooling capacity in W

16	11 652	14 666	18 286	22 498	-	-	-	-	-
20	11 168	14 092	17 607	21 698	26 348	-	-	-	-
30	10 217	12 917	16 169	19 959	24 269	29 085	34 389	-	-
40	-	11 863	14 854	18 344	22 317	26 757	31 646	-	-
50	-	-	-	16 543	20 180	24 245	28 723	-	-
60	-	-	-	-	17 546	21 239	25 307	-	-
68	-	-	-	-	-	-	22 010	-	-

Power input in W

16	2 967	2 953	2 933	2 927	-	-	-	-	-
20	3 409	3 416	3 410	3 413	3 448	-	-	-	-
30	4 342	4 398	4 425	4 448	4 488	4 568	4 711	-	-
40	-	5 336	5 394	5 433	5 475	5 542	5 658	-	-
50	-	-	-	6 624	6 664	6 716	6 800	-	-
60	-	-	-	-	8 312	8 344	8 395	-	-
68	-	-	-	-	-	-	10 169	-	-

Current consumption in A

16	5.71	5.68	5.64	5.63	-	-	-	-	-
20	6.56	6.57	6.56	6.57	6.64	-	-	-	-
30	8.36	8.46	8.52	8.56	8.64	8.79	9.07	-	-
40	-	10.27	10.38	10.46	10.54	10.67	10.89	-	-
50	-	-	-	12.75	12.83	12.92	13.09	-	-
60	-	-	-	-	16.00	16.06	16.16	-	-
68	-	-	-	-	-	-	19.57	-	-

Mass flow in kg/h

16	207	258	320	395	-	-	-	-	-
20	207	258	320	394	480	-	-	-	-
30	204	256	319	392	478	576	687	-	-
40	-	248	312	386	472	570	681	-	-
50	-	-	-	375	462	560	671	-	-
60	-	-	-	-	444	544	657	-	-
68	-	-	-	-	-	-	640	-	-

Coefficient of performance (C.O.P.)

16	3.93	4.97	6.24	7.69	-	-	-	-	-
20	3.28	4.13	5.16	6.36	7.64	-	-	-	-
30	2.35	2.94	3.65	4.49	5.41	6.37	7.30	-	-
40	-	2.22	2.75	3.38	4.08	4.83	5.59	-	-
50	-	-	-	2.50	3.03	3.61	4.22	-	-
60	-	-	-	-	2.11	2.55	3.01	-	-
68	-	-	-	-	-	-	2.16	-	-

Nominal performance at to = -10 °C, tc = 45 °C

Cooling capacity	14 145	W
Power input	5 941	W
Current consumption	11.43	A
Mass flow	306	kg/h
C.O.P.	2.38	

to: Evaporating temperature at dew point

tc: Condensing temperature at dew point

Rating conditions : Suction gas temp. = 20 °C , Subcooling = 0 K

Pressure switch settings

Maximum HP switch setting	29.8	bar(g)
Minimum LP switch setting	0.5	bar(g)
LP pump down setting	0.95	bar(g)

Sound power data

Sound power level	74	dB(A)
With acoustic hood	66	dB(A)

All performance data +/- 5%

Performance data at 50 Hz, EN 12900 rating conditions, Superheat = 10 K
R134a

Cond. temp. in °C (tc)	Evaporating temperature in °C (to)							
	-15	-10	-5	0	5	10	15	

Cooling capacity in W

22	8 949	11 199	13 879	17 015	20 638	-	-	-	-
30	8 219	10 350	12 884	15 850	19 275	23 190	-	-	-
40	7 244	9 206	11 539	14 272	17 433	21 051	25 153	-	-
50	-	7 999	10 109	12 588	15 463	18 762	22 515	-	-
60	-	-	8 621	10 824	13 391	16 351	19 732	-	-
70	-	-	-	9 008	11 246	13 845	16 833	-	-
73	-	-	-	8 457	10 593	13 079	15 944	-	-

Power input in W

22	2 470	2 521	2 597	2 688	2 784	-	-	-	-
30	2 956	3 006	3 070	3 137	3 198	3 241	-	-	-
40	3 640	3 714	3 787	3 849	3 889	3 898	3 864	-	-
50	-	4 510	4 619	4 702	4 750	4 750	4 694	-	-
60	-	-	5 539	5 671	5 752	5 772	5 721	-	-
70	-	-	-	6 729	6 871	6 937	6 917	-	-
73	-	-	-	7 060	7 225	7 311	7 305	-	-

Current consumption in A

22	4.75	4.85	5.00	5.17	5.36	-	-	-	-
30	5.69	5.78	5.91	6.04	6.15	6.24	-	-	-
40	7.01	7.15	7.29	7.41	7.49	7.50	7.44	-	-
50	-	8.68	8.89	9.05	9.14	9.14	9.03	-	-
60	-	-	10.66	10.91	11.07	11.11	11.01	-	-
70	-	-	-	12.95	13.22	13.35	13.31	-	-
73	-	-	-	13.59	13.91	14.07	14.06	-	-

Mass flow in kg/h

22	192	237	289	347	413	-	-	-	-
30	190	235	287	346	413	487	-	-	-
40	187	231	282	342	409	485	569	-	-
50	-	225	276	335	403	479	564	-	-
60	-	-	268	327	394	471	556	-	-
70	-	-	-	316	383	460	546	-	-
73	-	-	-	313	380	456	542	-	-

Coefficient of performance (C.O.P.)

22	3.62	4.44	5.34	6.33	7.41	-	-	-	-
30	2.78	3.44	4.20	5.05	6.03	7.15	-	-	-
40	1.99	2.48	3.05	3.71	4.48	5.40	6.51	-	-
50	-	1.77	2.19	2.68	3.26	3.95	4.80	-	-
60	-	-	1.56	1.91	2.33	2.83	3.45	-	-
70	-	-	-	1.34	1.64	2.00	2.43	-	-
73	-	-	-	1.20	1.47	1.79	2.18	-	-

Nominal performance at to = -10 °C, tc = 45 °C

Cooling capacity	8 609	W
Power input	4 102	W
Current consumption	7.89	A
Mass flow	228	kg/h
C.O.P.	2.10	

Pressure switch settings

Maximum HP switch setting	23.6	bar(g)
Minimum LP switch setting	0.45	bar(g)
LP pump down setting	0.85	bar(g)

Sound power data

Sound power level	74	dB(A)
With acoustic hood	66	dB(A)

to: Evaporating temperature at dew point

tc: Condensing temperature at dew point

Rating conditions : Superheat = 10 K , Subcooling = 0 K

All performance data +/- 5%

Performance data at 50 Hz, EN 12900 rating conditions, Suction temp. = 20 °C
R134a

Cond. temp. in °C (tc)	Evaporating temperature in °C (to)							
	-15	-10	-5	0	5	10	15	

Cooling capacity in W

22	9 092	11 330	13 986	17 089	20 672	-	-	-	-
30	-	10 541	13 049	15 972	19 340	23 190	-	-	-
40	-	-	11 777	14 456	17 537	21 051	25 036	-	-
50	-	-	10 417	12 832	15 605	18 762	22 335	-	-
60	-	-	-	11 126	13 571	16 351	-	-	-
70	-	-	-	-	11 463	13 845	-	-	-
73	-	-	-	-	10 821	13 079	-	-	-

Power input in W

22	2 470	2 521	2 597	2 688	2 784	-	-	-	-
30	-	3 006	3 070	3 137	3 198	3 241	-	-	-
40	-	-	3 787	3 849	3 889	3 898	3 864	-	-
50	-	-	4 619	4 702	4 750	4 750	4 694	-	-
60	-	-	-	5 671	5 752	5 772	-	-	-
70	-	-	-	-	6 871	6 937	-	-	-
73	-	-	-	-	7 225	7 311	-	-	-

Current consumption in A

22	4.75	4.85	5.00	5.17	5.36	-	-	-	-
30	-	5.78	5.91	6.04	6.15	6.24	-	-	-
40	-	-	7.29	7.41	7.49	7.50	7.44	-	-
50	-	-	8.89	9.05	9.14	9.14	9.03	-	-
60	-	-	-	10.91	11.07	11.11	-	-	-
70	-	-	-	-	13.22	13.35	-	-	-
73	-	-	-	-	13.91	14.07	-	-	-

Mass flow in kg/h

22	173	217	270	332	404	-	-	-	-
30	-	216	269	331	403	487	-	-	-
40	-	-	264	327	400	485	584	-	-
50	-	-	258	320	394	479	579	-	-
60	-	-	-	312	385	471	-	-	-
70	-	-	-	-	374	460	-	-	-
73	-	-	-	-	371	456	-	-	-

Coefficient of performance (C.O.P.)

22	3.68	4.49	5.39	6.36	7.42	-	-	-	-
30	-	3.51	4.25	5.09	6.05	7.15	-	-	-
40	-	-	3.11	3.76	4.51	5.40	6.48	-	-
50	-	-	2.26	2.73	3.29	3.95	4.76	-	-
60	-	-	-	1.96	2.36	2.83	-	-	-
70	-	-	-	-	1.67	2.00	-	-	-
73	-	-	-	-	1.50	1.79	-	-	-

Nominal performance at to = -10 °C, tc = 45 °C

Cooling capacity	-	W
Power input	-	W
Current consumption	-	A
Mass flow	-	kg/h
C.O.P.	-	

to: Evaporating temperature at dew point

tc: Condensing temperature at dew point

Rating conditions : Suction gas temp. = 20 °C , Subcooling = 0 K

Pressure switch settings

Maximum HP switch setting	23.6	bar(g)
Minimum LP switch setting	0.45	bar(g)
LP pump down setting	0.85	bar(g)

Sound power data

Sound power level	74	dB(A)
With acoustic hood	66	dB(A)

All performance data +/- 5%

Performance data at 50 Hz, EN 12900 rating conditions, Suction temp. = 20 °C
R404A

Cond. temp. in °C (tc)	Evaporating temperature in °C (to)								
	-30	-25	-20	-15	-10	-5	0	5	10

Cooling capacity in W

10	10 258	12 783	15 844	19 491	23 775	-	-	-	-
20	9 062	11 434	14 265	17 607	21 511	26 026	31 202	-	-
30	7 827	10 010	12 576	15 577	19 063	23 086	27 694	32 939	38 872
40	-	8 516	10 781	13 405	16 439	19 933	23 937	28 502	33 678
50	-	-	8 886	11 097	13 643	16 572	19 936	23 785	28 169
60	-	-	-	-	10 679	13 008	15 696	18 793	22 350

Power input in W

10	3 238	3 262	3 314	3 401	3 527	-	-	-	-
20	3 992	3 993	4 019	4 075	4 165	4 294	4 468	-	-
30	4 937	4 924	4 930	4 961	5 022	5 117	5 252	5 431	5 660
40	-	6 184	6 179	6 193	6 231	6 299	6 402	6 545	6 731
50	-	-	7 896	7 900	7 923	7 972	8 050	8 163	8 315
60	-	-	-	-	10 230	10 266	10 327	10 417	10 542

Current consumption in A

10	9.98	9.89	9.82	9.78	9.76	-	-	-	-
20	10.68	10.65	10.65	10.67	10.71	10.77	10.85	-	-
30	11.41	11.42	11.46	11.51	11.58	11.67	11.77	11.89	12.01
40	-	12.59	12.63	12.69	12.76	12.85	12.95	13.07	13.19
50	-	-	14.57	14.60	14.64	14.70	14.78	14.86	14.94
60	-	-	-	-	17.62	17.62	17.63	17.65	17.67

Mass flow in kg/h

10	205	260	323	399	489	-	-	-	-
20	198	253	317	393	483	590	716	-	-
30	190	244	308	383	473	579	704	851	1 022
40	-	233	296	371	459	564	687	833	1 002
50	-	-	281	355	441	545	666	810	976
60	-	-	-	-	420	521	641	782	946

Coefficient of performance (C.O.P.)

10	3.17	3.92	4.78	5.73	6.74	-	-	-	-
20	2.27	2.86	3.55	4.32	5.17	6.06	6.98	-	-
30	1.59	2.03	2.55	3.14	3.80	4.51	5.27	6.06	6.87
40	-	1.38	1.74	2.16	2.64	3.16	3.74	4.36	5.00
50	-	-	1.13	1.40	1.72	2.08	2.48	2.91	3.39
60	-	-	-	-	1.04	1.27	1.52	1.80	2.12

Nominal performance at to = -10 °C, tc = 45 °C

Cooling capacity	15 062	W
Power input	7 009	W
Current consumption	13.59	A
Mass flow	451	kg/h
C.O.P.	2.15	


Pressure switch settings

Maximum HP switch setting	29.7	bar(g)
Minimum LP switch setting	1.4	bar(g)
LP pump down setting	2	bar(g)

Sound power data

Sound power level	74	dB(A)
With acoustic hood	66	dB(A)

to: Evaporating temperature at dew point

tc: Condensing temperature at dew point

Rating conditions : Suction gas temp. = 20 °C , Subcooling = 0 K

All performance data +/- 5%

Performance data at 50 Hz, EN 12900 rating conditions, Superheat = 10 K
R404A

Cond. temp. in °C (tc)	Evaporating temperature in °C (to)								
	-30	-25	-20	-15	-10	-5	0	5	10

Cooling capacity in W

10	9 858	12 371	15 439	19 116	23 457	-	-	-	-
20	8 522	10 858	13 677	17 036	20 992	25 599	30 906	-	-
30	7 159	9 278	11 809	14 812	18 346	22 469	27 235	32 692	38 872
40	5 777	7 640	9 846	12 455	15 528	19 128	23 316	28 150	33 678
50	-	-	7 795	9 972	12 546	15 585	19 156	23 328	28 169
60	-	-	-	-	9 398	11 835	14 749	18 224	22 350

Power input in W

10	3 238	3 262	3 314	3 401	3 527	-	-	-	-
20	3 992	3 993	4 019	4 075	4 165	4 294	4 468	-	-
30	4 937	4 924	4 930	4 961	5 022	5 117	5 252	5 431	5 660
40	6 205	6 184	6 179	6 193	6 231	6 299	6 402	6 545	6 731
50	-	-	7 896	7 900	7 923	7 972	8 050	8 163	8 315
60	-	-	-	-	10 230	10 266	10 327	10 417	10 542

Current consumption in A

10	9.98	9.89	9.82	9.78	9.76	-	-	-	-
20	10.68	10.65	10.65	10.67	10.71	10.77	10.85	-	-
30	11.41	11.42	11.46	11.51	11.58	11.67	11.77	11.89	12.01
40	12.57	12.59	12.63	12.69	12.76	12.85	12.95	13.07	13.19
50	-	-	14.57	14.60	14.64	14.70	14.78	14.86	14.94
60	-	-	-	-	17.62	17.62	17.63	17.65	17.67

Mass flow in kg/h

10	244	304	371	450	540	-	-	-	-
20	236	296	364	443	533	637	756	-	-
30	226	286	354	432	522	625	743	876	1 022
40	213	273	340	417	507	609	726	857	1 002
50	-	-	323	399	487	588	704	833	976
60	-	-	-	-	464	563	677	805	946

Coefficient of performance (C.O.P.)

10	3.04	3.79	4.66	5.62	6.65	-	-	-	-
20	2.13	2.72	3.40	4.18	5.04	5.96	6.92	-	-
30	1.45	1.88	2.40	2.99	3.65	4.39	5.19	6.02	6.87
40	0.93	1.24	1.59	2.01	2.49	3.04	3.64	4.30	5.00
50	-	-	0.99	1.26	1.58	1.95	2.38	2.86	3.39
60	-	-	-	-	0.92	1.15	1.43	1.75	2.12

Nominal performance at to = -10 °C, tc = 45 °C

Cooling capacity	14 057	W
Power input	7 009	W
Current consumption	13.59	A
Mass flow	498	kg/h
C.O.P.	2.01	

Pressure switch settings

Maximum HP switch setting	29.7	bar(g)
Minimum LP switch setting	1.4	bar(g)
LP pump down setting	2	bar(g)

Sound power data

Sound power level	74	dB(A)
With acoustic hood	66	dB(A)

to: Evaporating temperature at dew point

tc: Condensing temperature at dew point

Rating conditions : Superheat = 10 K , Subcooling = 0 K

All performance data +/- 5%

Performance data at 50 Hz, EN 12900 rating conditions
R407F

Cond. temp. in °C (tc)	Evaporating temperature in °C (to)							
	-23	-20	-15	-10	-5	0	5	10

Cooling capacity in W

10	12 183	13 970	17 399	21 450	-	-	-	-	-
20	10 926	12 605	15 812	19 588	24 001	29 119	-	-	-
30	9 571	11 124	14 079	17 550	21 606	26 313	31 740	37 953	-
40	8 140	9 549	12 222	15 359	19 028	23 295	28 229	33 897	-
45	-	-	11 254	14 213	17 677	21 714	26 390	31 774	-
50	-	-	-	13 037	16 289	20 087	24 499	29 592	-
55	-	-	-	-	14 866	18 419	22 558	27 353	-
60	-	-	-	-	-	-	-	-	-

Power input in W

10	3 210	3 265	3 321	3 301	-	-	-	-	-
20	3 913	3 981	4 092	4 174	4 194	4 120	-	-	-
30	4 907	4 943	5 038	5 147	5 239	5 281	5 244	5 093	-
40	6 403	6 364	6 369	6 432	6 523	6 609	6 659	6 641	-
45	-	-	7 245	7 258	7 321	7 401	7 468	7 488	-
50	-	-	-	8 242	8 258	8 314	8 379	8 420	-
55	-	-	-	-	9 361	9 375	9 420	9 463	-
60	-	-	-	-	-	-	-	-	-

Current consumption in A

10	9.95	9.97	10.03	10.11	-	-	-	-	-
20	10.36	10.38	10.44	10.52	10.61	10.71	-	-	-
30	11.13	11.16	11.23	11.31	11.40	11.49	11.57	11.65	-
40	12.44	12.49	12.58	12.67	12.76	12.84	12.92	12.98	-
45	-	-	13.51	13.61	13.70	13.79	13.87	13.92	-
50	-	-	-	14.76	14.86	14.95	15.03	15.08	-
55	-	-	-	-	16.25	16.35	16.42	16.48	-
60	-	-	-	-	-	-	-	-	-

Mass flow in kg/h

10	213	242	298	363	-	-	-	-	-
20	206	236	292	357	431	517	-	-	-
30	197	227	282	347	421	507	604	714	-
40	185	214	270	334	407	491	588	697	-
45	-	-	262	325	398	482	578	686	-
50	-	-	-	316	389	472	567	674	-
55	-	-	-	-	378	460	554	661	-
60	-	-	-	-	-	-	-	-	-

Coefficient of performance (C.O.P.)

10	3.80	4.28	5.24	6.50	-	-	-	-	-
20	2.79	3.17	3.86	4.69	5.72	7.07	-	-	-
30	1.95	2.25	2.79	3.41	4.12	4.98	6.05	7.45	-
40	1.27	1.50	1.92	2.39	2.92	3.52	4.24	5.10	-
45	-	-	1.55	1.96	2.41	2.93	3.53	4.24	-
50	-	-	-	1.58	1.97	2.42	2.92	3.51	-
55	-	-	-	-	1.59	1.96	2.39	2.89	-
60	-	-	-	-	-	-	-	-	-

Nominal performance at to = -10 °C, tc = 45 °C

Cooling capacity	14 213	W
Power input	7 258	W
Current consumption	13.61	A
Mass flow	325	kg/h
C.O.P.	1.96	

Pressure switch settings

Maximum HP switch setting	29.7	bar(g)
Minimum LP switch setting	1.4	bar(g)
LP pump down setting	2	bar(g)

Sound power data

Sound power level	74	dB(A)
With acoustic hood	66	dB(A)

to: Evaporating temperature at dew point

tc: Condensing temperature at dew point

Rating conditions : Superheat = 10 K , Subcooling = 0 K

All performance data +/- 5%

Danfoss can accept no responsibility for possible errors in catalogues, brochures and other printed material. Danfoss reserves the right to alter its products without notice. This also applies to products already on order provided that such alternations can be made without subsequential changes being necessary in specifications already agreed. All trademarks in this material are property of the respective companies. Danfoss and the Danfoss logotype are trademarks of Danfoss A/S. All rights reserved.

Performance data at 50 Hz, ARI rating conditions

R407F

Cond. temp. in °C (tc)	Evaporating temperature in °C (to)							
	-23	-20	-15	-10	-5	0	5	10

Cooling capacity in W

10	12 875	14 757	18 367	22 628	-	-	-	-	-
20	11 617	13 395	16 789	20 782	25 444	30 846	-	-	-
30	10 254	11 910	15 059	18 754	23 066	28 066	33 825	40 414	-
40	-	10 325	13 198	16 566	20 500	25 071	30 349	36 407	-
45	-	-	12 227	15 421	19 155	23 501	28 530	34 312	-
50	-	-	-	14 247	17 775	21 890	26 663	32 166	-
55	-	-	-	-	-	20 246	24 759	29 979	-
60	-	-	-	-	-	-	-	-	-

Power input in W

10	3 210	3 265	3 321	3 301	-	-	-	-	-
20	3 913	3 981	4 092	4 174	4 194	4 120	-	-	-
30	4 907	4 943	5 038	5 147	5 239	5 281	5 244	5 093	-
40	-	6 364	6 369	6 432	6 523	6 609	6 659	6 641	-
45	-	-	7 245	7 258	7 321	7 401	7 468	7 488	-
50	-	-	-	8 242	8 258	8 314	8 379	8 420	-
55	-	-	-	-	-	9 375	9 420	9 463	-
60	-	-	-	-	-	-	-	-	-

Current consumption in A

10	9.95	9.97	10.03	10.11	-	-	-	-	-
20	10.36	10.38	10.44	10.52	10.61	10.71	-	-	-
30	11.13	11.16	11.23	11.31	11.40	11.49	11.57	11.65	-
40	-	12.49	12.58	12.67	12.76	12.84	12.92	12.98	-
45	-	-	13.51	13.61	13.70	13.79	13.87	13.92	-
50	-	-	-	14.76	14.86	14.95	15.03	15.08	-
55	-	-	-	-	-	16.35	16.42	16.48	-
60	-	-	-	-	-	-	-	-	-

Mass flow in kg/h

10	212	241	296	361	-	-	-	-	-
20	205	235	290	355	429	514	-	-	-
30	196	225	281	345	419	503	600	709	-
40	-	213	268	332	405	488	584	692	-
45	-	-	260	323	396	479	574	682	-
50	-	-	-	314	386	469	563	670	-
55	-	-	-	-	-	457	551	657	-
60	-	-	-	-	-	-	-	-	-

Coefficient of performance (C.O.P.)

10	4.01	4.52	5.53	6.85	-	-	-	-	-
20	2.97	3.37	4.10	4.98	6.07	7.49	-	-	-
30	2.09	2.41	2.99	3.64	4.40	5.31	6.45	7.93	-
40	-	1.62	2.07	2.58	3.14	3.79	4.56	5.48	-
45	-	-	1.69	2.12	2.62	3.18	3.82	4.58	-
50	-	-	-	1.73	2.15	2.63	3.18	3.82	-
55	-	-	-	-	-	2.16	2.63	3.17	-
60	-	-	-	-	-	-	-	-	-

Nominal performance at to = -10 °C, tc = 45 °C

Cooling capacity	15 421	W
Power input	7 258	W
Current consumption	13.61	A
Mass flow	323	kg/h
C.O.P.	2.12	

Pressure switch settings

Maximum HP switch setting	29.7	bar(g)
Minimum LP switch setting	1.4	bar(g)
LP pump down setting	2	bar(g)

Sound power data

Sound power level	74	dB(A)
With acoustic hood	66	dB(A)

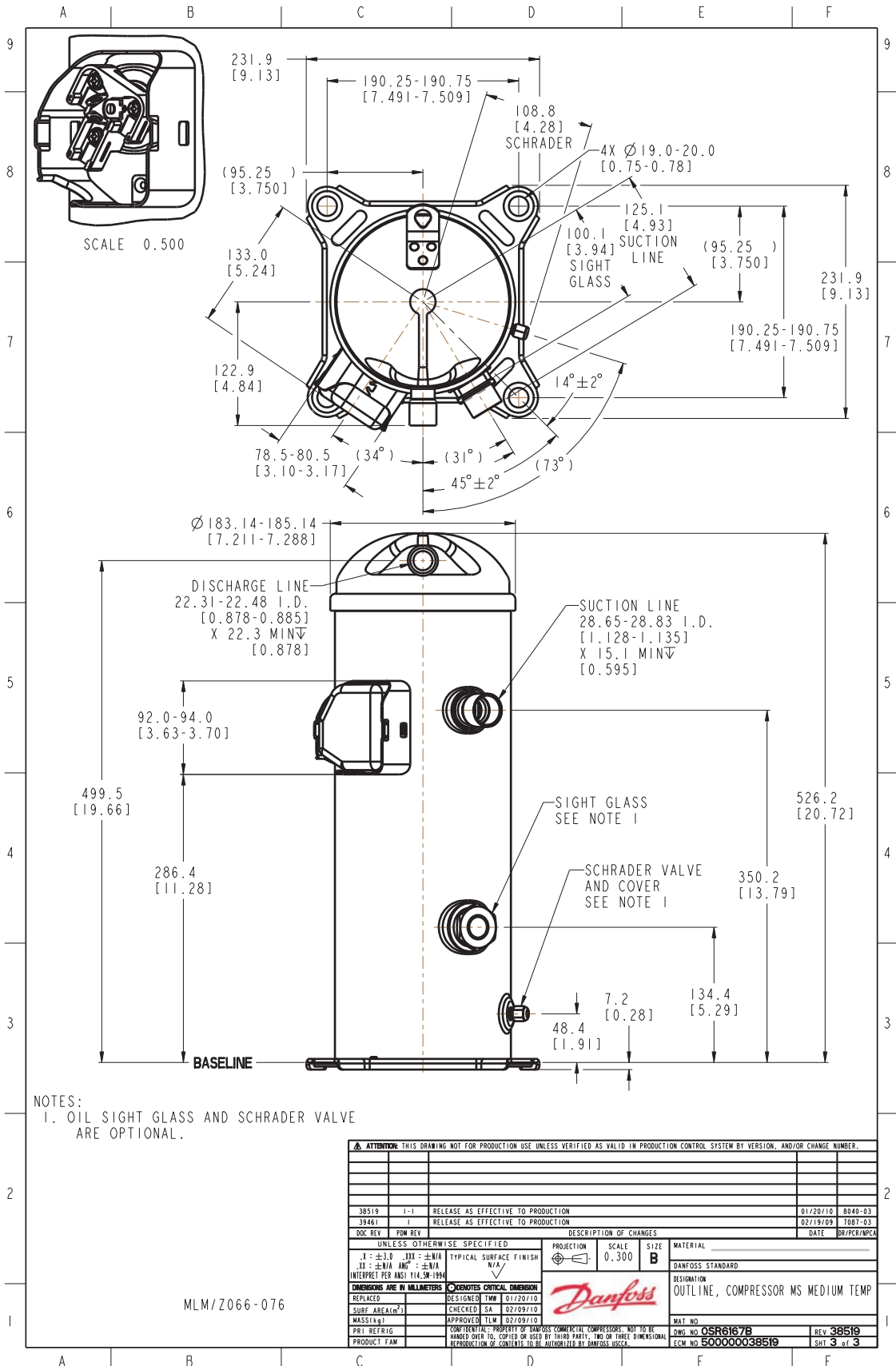
to: Evaporating temperature at dew point

tc: Condensing temperature at dew point

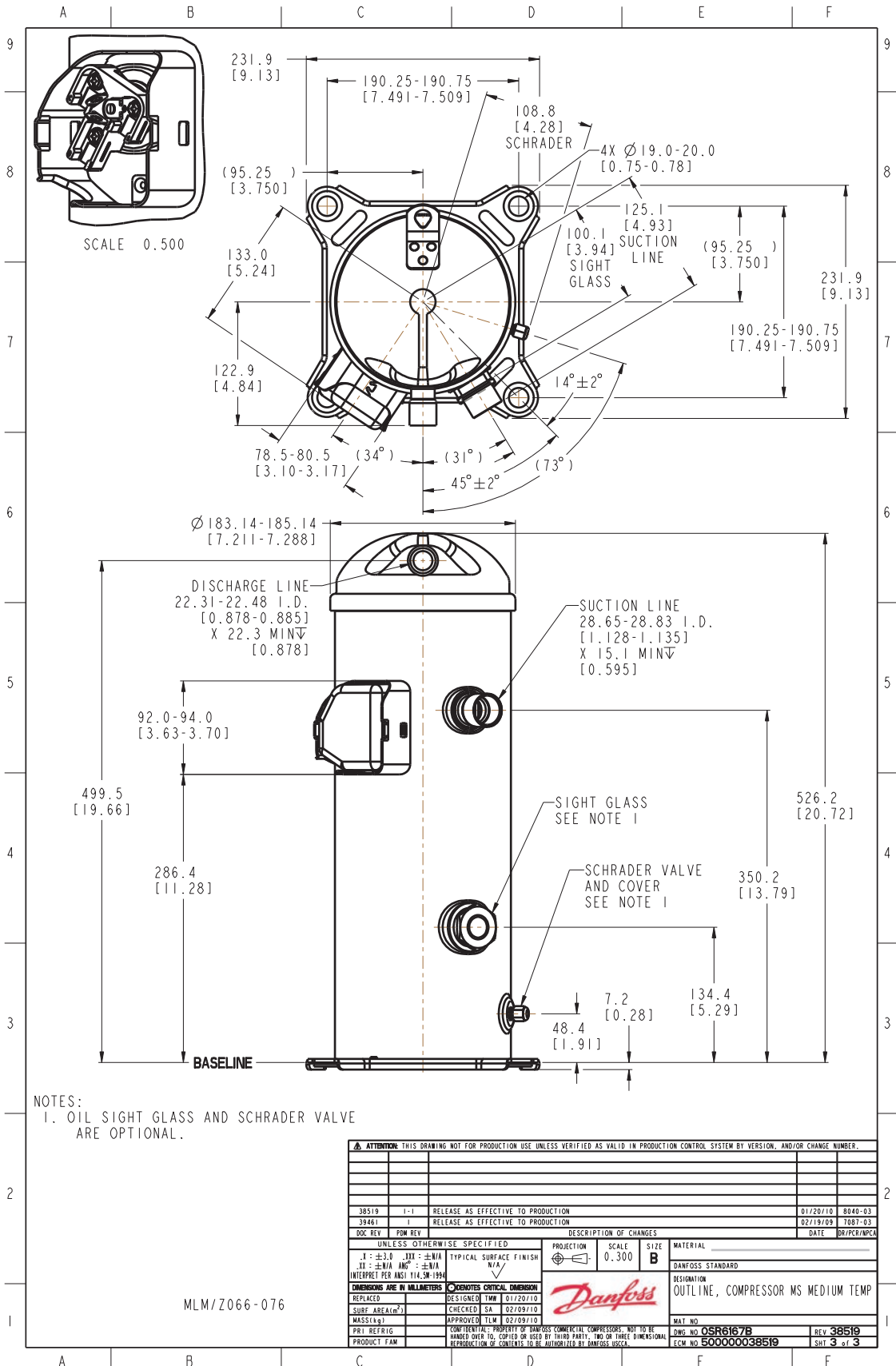
Rating conditions : Superheat = 11.1 K , Subcooling = 8.3 K

All performance data +/- 5%

Danfoss can accept no responsibility for possible errors in catalogues, brochures and other printed material. Danfoss reserves the right to alter its products without notice. This also applies to products already on order provided that such alternations can be made without subsequential changes being necessary in specifications already agreed. All trademarks in this material are property of the respective companies. Danfoss and the Danfoss logotype are trademarks of Danfoss A/S. All rights reserved.

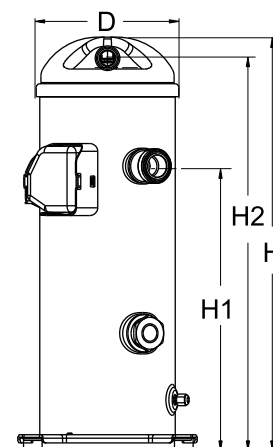


Danfoss can accept no responsibility for possible errors in catalogues, brochures and other printed material. Danfoss reserves the right to alter its products without notice. This also applies to products already on order provided that such alternations can be made without consequential changes being necessary in specifications already agreed. All trademarks in this material are property of the respective companies. Danfoss, the Danfoss logotype and Maneurop are trademarks of Danfoss A/S. All rights reserved.



General Characteristics

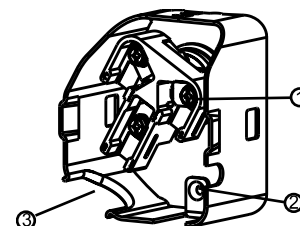
Model number (on compressor nameplate)		MLZ066T4LQ9
Code number for Singlepack*		121U8605
Code number for Industrial pack**		121U8604
Drawing number		0SR6307B-3
Suction and discharge connections		Rotolock
Suction connection		1-3/4 " Rotolock
Discharge connection		1-1/4 " Rotolock
Suction connection with supplied sleeve		1-1/8 " -
Discharge connection with supplied sleeve	- "	7/8 " -
Oil sight glass		Threaded
Oil equalisation connection		None
Oil drain connection		None
LP gauge port		None
IPR valve		None
Swept volume		148,8 cm ³ /rev
Displacement @ Nominal speed		25.9 m ³ /h @ 2900 rpm - 31.3 m ³ /h @ 3500 rpm
Net weight		47 kg
Oil charge		2,66 litre, PVE - -
Maximum system test pressure Low Side / High side		- bar(g) / - bar(g)
Maximum differential test pressure		- bar
Maximum number of starts per hour		12
Refrigerant charge limit		7,26 kg
Approved refrigerants		R404A, R507, R134a, R407A, R407C, R407F, R22

Dimensions


D=184 mm
H=545,2 mm
H1=369,2 mm
H2=518 mm
H3=- mm

Electrical Characteristics

Nominal voltage	380-400V/3/50Hz - 460V/3/60Hz
Voltage range	340-460 V @ 50Hz - 414-506 V @ 60Hz
Winding resistance between phases 1-2 +/- 7% at 25°C	1.326 Ω
Winding resistance between phases 1-3 +/- 7% at 25°C	1.276 Ω
Winding resistance between phases 2-3 +/- 7% at 25°C	1.293 Ω
Rated Load Amps (RLA)	16 A
Maximum Continuous Current (MCC)	24 A
Locked Rotor Amps (LRA)	110 A
Motor protection	Internal overload protector

Terminal box


IP22

- 1: Screw connectors 10-32 UNF x 9.5
- 2: Earth connection
- 3: Power cable passage

Recommended Installation torques

Oil sight glass	52,5 Nm
Power connections / Earth connection	3 Nm / 2 Nm

Parts shipped with compressor

Mounting kit with grommets and sleeves
Initial oil charge
Installation instructions

Approvals : CE certified, UL certified (file SA11565), -

*Singlepack: Compressor in cardboard box. 121U... optimised for Danfoss pallet, 120U... optimised for US pallet

**Industrial pack: 121U...: 12 unboxed compressors on Danfoss pallet. 120U...: 16 unboxed compressors on US pallet

Rotolock accessories, suction side

Code no.

Angle adapter, C02 (1-3/4" Rotolock, 1-1/8" ODF)	8168005
Rotolock valve, V02 (1-3/4" Rotolock, 1-1/8" ODF)	8168028
Gasket, 1-3/4"	8156132

Rotolock accessories, discharge side

Code no.

Rotolock valve, V05 (1-1/4" Rotolock, 7/8" ODF)	8168030
Gasket, 1-1/4"	8156131

Rotolock accessories, sets

Code no.

Teflon seals, sleeves, nuts for discharge and suction (1"1/4 and 1"1/4)	120Z5076
Gasket set, 1", 1-1/4", 1-3/4", OSG gaskets black & white	8156009

Oil / lubricants

Code no.

PVE lubricant, 320HV (FVC68D), 1 litre can	120Z5034
--	----------

Crankcase heaters

Code no.

Belt type crankcase heater, 70 W, 230 V, UL	120Z5011
Belt type crankcase heater, 65 W, 230 V, CE mark, UL	120Z0059
Belt type crankcase heater, 65 W, 400 V, CE mark, UL	120Z0060
Belt type crankcase heater, 70 W, 460 V, UL	120Z5012

Miscellaneous accessories

Code no.

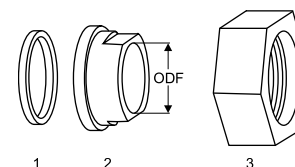
Acoustic hood	120Z5045
Discharge thermostat kit	7750009

Spare parts

Code no.

Mounting kit for 1 scroll compressor including 4 grommets, 4 sleeves, 4 bolts, 4 washers	120Z5005
--	----------

Gaskets, sleeves and nuts



- 1: Gasket
- 2: Solder sleeve
- 3: Rotolock nut

Performance data at 50 Hz, EN 12900 rating conditions, Superheat = 10 K
R22

Cond. temp. in °C (tc)	Evaporating temperature in °C (to)							
	-20	-15	-10	-5	0	5	10	

Cooling capacity in W

16	11 943	14 987	18 626	22 834	-	-	-	-	-
20	11 417	14 368	17 902	21 991	26 607	-	-	-	-
30	10 367	13 088	16 357	20 151	24 444	29 203	34 389	-	-
40	9 438	11 930	14 935	18 436	22 407	26 823	31 646	-	-
50	-	10 580	13 324	16 532	20 184	24 258	28 723	-	-
60	-	-	-	14 132	17 465	21 198	25 307	-	-
68	-	-	-	-	-	18 187	22 010	-	-

Power input in W

16	2 967	2 953	2 933	2 927	-	-	-	-	-
20	3 409	3 416	3 410	3 413	3 448	-	-	-	-
30	4 342	4 398	4 425	4 448	4 488	4 568	4 711	-	-
40	5 236	5 336	5 394	5 433	5 475	5 542	5 658	-	-
50	-	6 486	6 572	6 624	6 664	6 716	6 800	-	-
60	-	-	-	8 276	8 312	8 344	8 395	-	-
68	-	-	-	-	-	10 147	10 169	-	-

Current consumption in A

16	5.71	5.68	5.64	5.63	-	-	-	-	-
20	6.56	6.57	6.56	6.57	6.64	-	-	-	-
30	8.36	8.46	8.52	8.56	8.64	8.79	9.07	-	-
40	10.08	10.27	10.38	10.46	10.54	10.67	10.89	-	-
50	-	12.48	12.65	12.75	12.83	12.92	13.09	-	-
60	-	-	-	15.93	16.00	16.06	16.16	-	-
68	-	-	-	-	-	19.53	19.57	-	-

Mass flow in kg/h

16	235	288	350	423	-	-	-	-	-
20	235	288	350	422	504	-	-	-	-
30	231	285	348	420	501	590	687	-	-
40	220	276	341	414	495	584	681	-	-
50	-	259	326	401	484	574	671	-	-
60	-	-	-	380	466	558	657	-	-
68	-	-	-	-	-	539	640	-	-

Coefficient of performance (C.O.P.)

16	4.03	5.07	6.35	7.80	-	-	-	-	-
20	3.35	4.21	5.25	6.44	7.72	-	-	-	-
30	2.39	2.98	3.70	4.53	5.45	6.39	7.30	-	-
40	1.80	2.24	2.77	3.39	4.09	4.84	5.59	-	-
50	-	1.63	2.03	2.50	3.03	3.61	4.22	-	-
60	-	-	-	1.71	2.10	2.54	3.01	-	-
68	-	-	-	-	-	1.79	2.16	-	-

Nominal performance at to = -10 °C, tc = 45 °C

Cooling capacity	14 173	W
Power input	5 941	W
Current consumption	11.43	A
Mass flow	335	kg/h
C.O.P.	2.39	

Pressure switch settings

Maximum HP switch setting	29.8	bar(g)
Minimum LP switch setting	0.5	bar(g)
LP pump down setting	0.95	bar(g)

Sound power data

Sound power level	74	dB(A)
With acoustic hood	66	dB(A)

to: Evaporating temperature at dew point

tc: Condensing temperature at dew point

Rating conditions : Superheat = 10 K , Subcooling = 0 K

All performance data +/- 5%

Performance data at 50 Hz, EN 12900 rating conditions, Suction temp. = 20 °C
R22

Cond. temp. in °C (tc)	Evaporating temperature in °C (to)							
	-20	-15	-10	-5	0	5	10	

Cooling capacity in W

16	11 652	14 666	18 286	22 498	-	-	-	-	-
20	11 168	14 092	17 607	21 698	26 348	-	-	-	-
30	10 217	12 917	16 169	19 959	24 269	29 085	34 389	-	-
40	-	11 863	14 854	18 344	22 317	26 757	31 646	-	-
50	-	-	-	16 543	20 180	24 245	28 723	-	-
60	-	-	-	-	17 546	21 239	25 307	-	-
68	-	-	-	-	-	-	22 010	-	-

Power input in W

16	2 967	2 953	2 933	2 927	-	-	-	-	-
20	3 409	3 416	3 410	3 413	3 448	-	-	-	-
30	4 342	4 398	4 425	4 448	4 488	4 568	4 711	-	-
40	-	5 336	5 394	5 433	5 475	5 542	5 658	-	-
50	-	-	-	6 624	6 664	6 716	6 800	-	-
60	-	-	-	-	8 312	8 344	8 395	-	-
68	-	-	-	-	-	-	10 169	-	-

Current consumption in A

16	5.71	5.68	5.64	5.63	-	-	-	-	-
20	6.56	6.57	6.56	6.57	6.64	-	-	-	-
30	8.36	8.46	8.52	8.56	8.64	8.79	9.07	-	-
40	-	10.27	10.38	10.46	10.54	10.67	10.89	-	-
50	-	-	-	12.75	12.83	12.92	13.09	-	-
60	-	-	-	-	16.00	16.06	16.16	-	-
68	-	-	-	-	-	-	19.57	-	-

Mass flow in kg/h

16	207	258	320	395	-	-	-	-	-
20	207	258	320	394	480	-	-	-	-
30	204	256	319	392	478	576	687	-	-
40	-	248	312	386	472	570	681	-	-
50	-	-	-	375	462	560	671	-	-
60	-	-	-	-	444	544	657	-	-
68	-	-	-	-	-	-	640	-	-

Coefficient of performance (C.O.P.)

16	3.93	4.97	6.24	7.69	-	-	-	-	-
20	3.28	4.13	5.16	6.36	7.64	-	-	-	-
30	2.35	2.94	3.65	4.49	5.41	6.37	7.30	-	-
40	-	2.22	2.75	3.38	4.08	4.83	5.59	-	-
50	-	-	-	2.50	3.03	3.61	4.22	-	-
60	-	-	-	-	2.11	2.55	3.01	-	-
68	-	-	-	-	-	-	2.16	-	-

Nominal performance at to = -10 °C, tc = 45 °C

Cooling capacity	14 145	W
Power input	5 941	W
Current consumption	11.43	A
Mass flow	306	kg/h
C.O.P.	2.38	

to: Evaporating temperature at dew point

tc: Condensing temperature at dew point

Rating conditions : Suction gas temp. = 20 °C , Subcooling = 0 K

Pressure switch settings

Maximum HP switch setting	29.8	bar(g)
Minimum LP switch setting	0.5	bar(g)
LP pump down setting	0.95	bar(g)

Sound power data

Sound power level	74	dB(A)
With acoustic hood	66	dB(A)

All performance data +/- 5%

Performance data at 50 Hz, EN 12900 rating conditions, Superheat = 10 K
R134a

Cond. temp. in °C (tc)	Evaporating temperature in °C (to)							
	-15	-10	-5	0	5	10	15	

Cooling capacity in W

22	8 949	11 199	13 879	17 015	20 638	-	-	-	-
30	8 219	10 350	12 884	15 850	19 275	23 190	-	-	-
40	7 244	9 206	11 539	14 272	17 433	21 051	25 153	-	-
50	-	7 999	10 109	12 588	15 463	18 762	22 515	-	-
60	-	-	8 621	10 824	13 391	16 351	19 732	-	-
70	-	-	-	9 008	11 246	13 845	16 833	-	-
73	-	-	-	8 457	10 593	13 079	15 944	-	-

Power input in W

22	2 470	2 521	2 597	2 688	2 784	-	-	-	-
30	2 956	3 006	3 070	3 137	3 198	3 241	-	-	-
40	3 640	3 714	3 787	3 849	3 889	3 898	3 864	-	-
50	-	4 510	4 619	4 702	4 750	4 750	4 694	-	-
60	-	-	5 539	5 671	5 752	5 772	5 721	-	-
70	-	-	-	6 729	6 871	6 937	6 917	-	-
73	-	-	-	7 060	7 225	7 311	7 305	-	-

Current consumption in A

22	4.75	4.85	5.00	5.17	5.36	-	-	-	-
30	5.69	5.78	5.91	6.04	6.15	6.24	-	-	-
40	7.01	7.15	7.29	7.41	7.49	7.50	7.44	-	-
50	-	8.68	8.89	9.05	9.14	9.14	9.03	-	-
60	-	-	10.66	10.91	11.07	11.11	11.01	-	-
70	-	-	-	12.95	13.22	13.35	13.31	-	-
73	-	-	-	13.59	13.91	14.07	14.06	-	-

Mass flow in kg/h

22	192	237	289	347	413	-	-	-	-
30	190	235	287	346	413	487	-	-	-
40	187	231	282	342	409	485	569	-	-
50	-	225	276	335	403	479	564	-	-
60	-	-	268	327	394	471	556	-	-
70	-	-	-	316	383	460	546	-	-
73	-	-	-	313	380	456	542	-	-

Coefficient of performance (C.O.P.)

22	3.62	4.44	5.34	6.33	7.41	-	-	-	-
30	2.78	3.44	4.20	5.05	6.03	7.15	-	-	-
40	1.99	2.48	3.05	3.71	4.48	5.40	6.51	-	-
50	-	1.77	2.19	2.68	3.26	3.95	4.80	-	-
60	-	-	1.56	1.91	2.33	2.83	3.45	-	-
70	-	-	-	1.34	1.64	2.00	2.43	-	-
73	-	-	-	1.20	1.47	1.79	2.18	-	-

Nominal performance at to = -10 °C, tc = 45 °C

Cooling capacity	8 609	W
Power input	4 102	W
Current consumption	7.89	A
Mass flow	228	kg/h
C.O.P.	2.10	

Pressure switch settings

Maximum HP switch setting	23.6	bar(g)
Minimum LP switch setting	0.45	bar(g)
LP pump down setting	0.85	bar(g)

Sound power data

Sound power level	74	dB(A)
With acoustic hood	66	dB(A)

to: Evaporating temperature at dew point

tc: Condensing temperature at dew point

Rating conditions : Superheat = 10 K , Subcooling = 0 K

All performance data +/- 5%

Performance data at 50 Hz, EN 12900 rating conditions, Suction temp. = 20 °C
R134a

Cond. temp. in °C (tc)	Evaporating temperature in °C (to)							
	-15	-10	-5	0	5	10	15	

Cooling capacity in W

22	9 092	11 330	13 986	17 089	20 672	-	-	-	-
30	-	10 541	13 049	15 972	19 340	23 190	-	-	-
40	-	-	11 777	14 456	17 537	21 051	25 036	-	-
50	-	-	10 417	12 832	15 605	18 762	22 335	-	-
60	-	-	-	11 126	13 571	16 351	-	-	-
70	-	-	-	-	11 463	13 845	-	-	-
73	-	-	-	-	10 821	13 079	-	-	-

Power input in W

22	2 470	2 521	2 597	2 688	2 784	-	-	-	-
30	-	3 006	3 070	3 137	3 198	3 241	-	-	-
40	-	-	3 787	3 849	3 889	3 898	3 864	-	-
50	-	-	4 619	4 702	4 750	4 750	4 694	-	-
60	-	-	-	5 671	5 752	5 772	-	-	-
70	-	-	-	-	6 871	6 937	-	-	-
73	-	-	-	-	7 225	7 311	-	-	-

Current consumption in A

22	4.75	4.85	5.00	5.17	5.36	-	-	-	-
30	-	5.78	5.91	6.04	6.15	6.24	-	-	-
40	-	-	7.29	7.41	7.49	7.50	7.44	-	-
50	-	-	8.89	9.05	9.14	9.14	9.03	-	-
60	-	-	-	10.91	11.07	11.11	-	-	-
70	-	-	-	-	13.22	13.35	-	-	-
73	-	-	-	-	13.91	14.07	-	-	-

Mass flow in kg/h

22	173	217	270	332	404	-	-	-	-
30	-	216	269	331	403	487	-	-	-
40	-	-	264	327	400	485	584	-	-
50	-	-	258	320	394	479	579	-	-
60	-	-	-	312	385	471	-	-	-
70	-	-	-	-	374	460	-	-	-
73	-	-	-	-	371	456	-	-	-

Coefficient of performance (C.O.P.)

22	3.68	4.49	5.39	6.36	7.42	-	-	-	-
30	-	3.51	4.25	5.09	6.05	7.15	-	-	-
40	-	-	3.11	3.76	4.51	5.40	6.48	-	-
50	-	-	2.26	2.73	3.29	3.95	4.76	-	-
60	-	-	-	1.96	2.36	2.83	-	-	-
70	-	-	-	-	1.67	2.00	-	-	-
73	-	-	-	-	1.50	1.79	-	-	-

Nominal performance at to = -10 °C, tc = 45 °C

Cooling capacity	-	W
Power input	-	W
Current consumption	-	A
Mass flow	-	kg/h
C.O.P.	-	

to: Evaporating temperature at dew point

tc: Condensing temperature at dew point

Rating conditions : Suction gas temp. = 20 °C , Subcooling = 0 K

Pressure switch settings

Maximum HP switch setting	23.6	bar(g)
Minimum LP switch setting	0.45	bar(g)
LP pump down setting	0.85	bar(g)

Sound power data

Sound power level	74	dB(A)
With acoustic hood	66	dB(A)

All performance data +/- 5%

Performance data at 50 Hz, EN 12900 rating conditions, Suction temp. = 20 °C
R404A

Cond. temp. in °C (tc)	Evaporating temperature in °C (to)								
	-30	-25	-20	-15	-10	-5	0	5	10

Cooling capacity in W

10	10 258	12 783	15 844	19 491	23 775	-	-	-	-
20	9 062	11 434	14 265	17 607	21 511	26 026	31 202	-	-
30	7 827	10 010	12 576	15 577	19 063	23 086	27 694	32 939	38 872
40	-	8 516	10 781	13 405	16 439	19 933	23 937	28 502	33 678
50	-	-	8 886	11 097	13 643	16 572	19 936	23 785	28 169
60	-	-	-	-	10 679	13 008	15 696	18 793	22 350

Power input in W

10	3 238	3 262	3 314	3 401	3 527	-	-	-	-
20	3 992	3 993	4 019	4 075	4 165	4 294	4 468	-	-
30	4 937	4 924	4 930	4 961	5 022	5 117	5 252	5 431	5 660
40	-	6 184	6 179	6 193	6 231	6 299	6 402	6 545	6 731
50	-	-	7 896	7 900	7 923	7 972	8 050	8 163	8 315
60	-	-	-	-	10 230	10 266	10 327	10 417	10 542

Current consumption in A

10	9.98	9.89	9.82	9.78	9.76	-	-	-	-
20	10.68	10.65	10.65	10.67	10.71	10.77	10.85	-	-
30	11.41	11.42	11.46	11.51	11.58	11.67	11.77	11.89	12.01
40	-	12.59	12.63	12.69	12.76	12.85	12.95	13.07	13.19
50	-	-	14.57	14.60	14.64	14.70	14.78	14.86	14.94
60	-	-	-	-	17.62	17.62	17.63	17.65	17.67

Mass flow in kg/h

10	205	260	323	399	489	-	-	-	-
20	198	253	317	393	483	590	716	-	-
30	190	244	308	383	473	579	704	851	1 022
40	-	233	296	371	459	564	687	833	1 002
50	-	-	281	355	441	545	666	810	976
60	-	-	-	-	420	521	641	782	946

Coefficient of performance (C.O.P.)

10	3.17	3.92	4.78	5.73	6.74	-	-	-	-
20	2.27	2.86	3.55	4.32	5.17	6.06	6.98	-	-
30	1.59	2.03	2.55	3.14	3.80	4.51	5.27	6.06	6.87
40	-	1.38	1.74	2.16	2.64	3.16	3.74	4.36	5.00
50	-	-	1.13	1.40	1.72	2.08	2.48	2.91	3.39
60	-	-	-	-	1.04	1.27	1.52	1.80	2.12

Nominal performance at to = -10 °C, tc = 45 °C

Cooling capacity	15 062	W
Power input	7 009	W
Current consumption	13.59	A
Mass flow	451	kg/h
C.O.P.	2.15	


Pressure switch settings

Maximum HP switch setting	29.7	bar(g)
Minimum LP switch setting	1.4	bar(g)
LP pump down setting	2	bar(g)

Sound power data

Sound power level	74	dB(A)
With acoustic hood	66	dB(A)

to: Evaporating temperature at dew point

tc: Condensing temperature at dew point

Rating conditions : Suction gas temp. = 20 °C , Subcooling = 0 K

All performance data +/- 5%

Performance data at 50 Hz, EN 12900 rating conditions, Superheat = 10 K
R404A

Cond. temp. in °C (tc)	Evaporating temperature in °C (to)								
	-30	-25	-20	-15	-10	-5	0	5	10

Cooling capacity in W

10	9 858	12 371	15 439	19 116	23 457	-	-	-	-
20	8 522	10 858	13 677	17 036	20 992	25 599	30 906	-	-
30	7 159	9 278	11 809	14 812	18 346	22 469	27 235	32 692	38 872
40	5 777	7 640	9 846	12 455	15 528	19 128	23 316	28 150	33 678
50	-	-	7 795	9 972	12 546	15 585	19 156	23 328	28 169
60	-	-	-	-	9 398	11 835	14 749	18 224	22 350

Power input in W

10	3 238	3 262	3 314	3 401	3 527	-	-	-	-
20	3 992	3 993	4 019	4 075	4 165	4 294	4 468	-	-
30	4 937	4 924	4 930	4 961	5 022	5 117	5 252	5 431	5 660
40	6 205	6 184	6 179	6 193	6 231	6 299	6 402	6 545	6 731
50	-	-	7 896	7 900	7 923	7 972	8 050	8 163	8 315
60	-	-	-	-	10 230	10 266	10 327	10 417	10 542

Current consumption in A

10	9.98	9.89	9.82	9.78	9.76	-	-	-	-
20	10.68	10.65	10.65	10.67	10.71	10.77	10.85	-	-
30	11.41	11.42	11.46	11.51	11.58	11.67	11.77	11.89	12.01
40	12.57	12.59	12.63	12.69	12.76	12.85	12.95	13.07	13.19
50	-	-	14.57	14.60	14.64	14.70	14.78	14.86	14.94
60	-	-	-	-	17.62	17.62	17.63	17.65	17.67

Mass flow in kg/h

10	244	304	371	450	540	-	-	-	-
20	236	296	364	443	533	637	756	-	-
30	226	286	354	432	522	625	743	876	1 022
40	213	273	340	417	507	609	726	857	1 002
50	-	-	323	399	487	588	704	833	976
60	-	-	-	-	464	563	677	805	946

Coefficient of performance (C.O.P.)

10	3.04	3.79	4.66	5.62	6.65	-	-	-	-
20	2.13	2.72	3.40	4.18	5.04	5.96	6.92	-	-
30	1.45	1.88	2.40	2.99	3.65	4.39	5.19	6.02	6.87
40	0.93	1.24	1.59	2.01	2.49	3.04	3.64	4.30	5.00
50	-	-	0.99	1.26	1.58	1.95	2.38	2.86	3.39
60	-	-	-	-	0.92	1.15	1.43	1.75	2.12

Nominal performance at to = -10 °C, tc = 45 °C

Cooling capacity	14 057	W
Power input	7 009	W
Current consumption	13.59	A
Mass flow	498	kg/h
C.O.P.	2.01	

Pressure switch settings

Maximum HP switch setting	29.7	bar(g)
Minimum LP switch setting	1.4	bar(g)
LP pump down setting	2	bar(g)

Sound power data

Sound power level	74	dB(A)
With acoustic hood	66	dB(A)

to: Evaporating temperature at dew point

tc: Condensing temperature at dew point

Rating conditions : Superheat = 10 K , Subcooling = 0 K

All performance data +/- 5%

Performance data at 50 Hz, EN 12900 rating conditions
R407F

Cond. temp. in °C (tc)	Evaporating temperature in °C (to)							
	-23	-20	-15	-10	-5	0	5	10

Cooling capacity in W

10	12 183	13 970	17 399	21 450	-	-	-	-	-
20	10 926	12 605	15 812	19 588	24 001	29 119	-	-	-
30	9 571	11 124	14 079	17 550	21 606	26 313	31 740	37 953	-
40	8 140	9 549	12 222	15 359	19 028	23 295	28 229	33 897	-
45	-	-	11 254	14 213	17 677	21 714	26 390	31 774	-
50	-	-	-	13 037	16 289	20 087	24 499	29 592	-
55	-	-	-	-	14 866	18 419	22 558	27 353	-
60	-	-	-	-	-	-	-	-	-

Power input in W

10	3 210	3 265	3 321	3 301	-	-	-	-	-
20	3 913	3 981	4 092	4 174	4 194	4 120	-	-	-
30	4 907	4 943	5 038	5 147	5 239	5 281	5 244	5 093	-
40	6 403	6 364	6 369	6 432	6 523	6 609	6 659	6 641	-
45	-	-	7 245	7 258	7 321	7 401	7 468	7 488	-
50	-	-	-	8 242	8 258	8 314	8 379	8 420	-
55	-	-	-	-	9 361	9 375	9 420	9 463	-
60	-	-	-	-	-	-	-	-	-

Current consumption in A

10	9.95	9.97	10.03	10.11	-	-	-	-	-
20	10.36	10.38	10.44	10.52	10.61	10.71	-	-	-
30	11.13	11.16	11.23	11.31	11.40	11.49	11.57	11.65	-
40	12.44	12.49	12.58	12.67	12.76	12.84	12.92	12.98	-
45	-	-	13.51	13.61	13.70	13.79	13.87	13.92	-
50	-	-	-	14.76	14.86	14.95	15.03	15.08	-
55	-	-	-	-	16.25	16.35	16.42	16.48	-
60	-	-	-	-	-	-	-	-	-

Mass flow in kg/h

10	213	242	298	363	-	-	-	-	-
20	206	236	292	357	431	517	-	-	-
30	197	227	282	347	421	507	604	714	-
40	185	214	270	334	407	491	588	697	-
45	-	-	262	325	398	482	578	686	-
50	-	-	-	316	389	472	567	674	-
55	-	-	-	-	378	460	554	661	-
60	-	-	-	-	-	-	-	-	-

Coefficient of performance (C.O.P.)

10	3.80	4.28	5.24	6.50	-	-	-	-	-
20	2.79	3.17	3.86	4.69	5.72	7.07	-	-	-
30	1.95	2.25	2.79	3.41	4.12	4.98	6.05	7.45	-
40	1.27	1.50	1.92	2.39	2.92	3.52	4.24	5.10	-
45	-	-	1.55	1.96	2.41	2.93	3.53	4.24	-
50	-	-	-	1.58	1.97	2.42	2.92	3.51	-
55	-	-	-	-	1.59	1.96	2.39	2.89	-
60	-	-	-	-	-	-	-	-	-

Nominal performance at to = -10 °C, tc = 45 °C

Cooling capacity	14 213	W
Power input	7 258	W
Current consumption	13.61	A
Mass flow	325	kg/h
C.O.P.	1.96	

Pressure switch settings

Maximum HP switch setting	29.7	bar(g)
Minimum LP switch setting	1.4	bar(g)
LP pump down setting	2	bar(g)

Sound power data

Sound power level	74	dB(A)
With acoustic hood	66	dB(A)

to: Evaporating temperature at dew point

tc: Condensing temperature at dew point

Rating conditions : Superheat = 10 K , Subcooling = 0 K

All performance data +/- 5%

Danfoss can accept no responsibility for possible errors in catalogues, brochures and other printed material. Danfoss reserves the right to alter its products without notice. This also applies to products already on order provided that such alternations can be made without subsequential changes being necessary in specifications already agreed. All trademarks in this material are property of the respective companies. Danfoss and the Danfoss logotype are trademarks of Danfoss A/S. All rights reserved.

Performance data at 50 Hz, ARI rating conditions
R407F

Cond. temp. in °C (tc)	Evaporating temperature in °C (to)							
	-23	-20	-15	-10	-5	0	5	10

Cooling capacity in W

10	12 875	14 757	18 367	22 628	-	-	-	-	-
20	11 617	13 395	16 789	20 782	25 444	30 846	-	-	-
30	10 254	11 910	15 059	18 754	23 066	28 066	33 825	40 414	-
40	-	10 325	13 198	16 566	20 500	25 071	30 349	36 407	-
45	-	-	12 227	15 421	19 155	23 501	28 530	34 312	-
50	-	-	-	14 247	17 775	21 890	26 663	32 166	-
55	-	-	-	-	-	20 246	24 759	29 979	-
60	-	-	-	-	-	-	-	-	-

Power input in W

10	3 210	3 265	3 321	3 301	-	-	-	-	-
20	3 913	3 981	4 092	4 174	4 194	4 120	-	-	-
30	4 907	4 943	5 038	5 147	5 239	5 281	5 244	5 093	-
40	-	6 364	6 369	6 432	6 523	6 609	6 659	6 641	-
45	-	-	7 245	7 258	7 321	7 401	7 468	7 488	-
50	-	-	-	8 242	8 258	8 314	8 379	8 420	-
55	-	-	-	-	-	9 375	9 420	9 463	-
60	-	-	-	-	-	-	-	-	-

Current consumption in A

10	9.95	9.97	10.03	10.11	-	-	-	-	-
20	10.36	10.38	10.44	10.52	10.61	10.71	-	-	-
30	11.13	11.16	11.23	11.31	11.40	11.49	11.57	11.65	-
40	-	12.49	12.58	12.67	12.76	12.84	12.92	12.98	-
45	-	-	13.51	13.61	13.70	13.79	13.87	13.92	-
50	-	-	-	14.76	14.86	14.95	15.03	15.08	-
55	-	-	-	-	-	16.35	16.42	16.48	-
60	-	-	-	-	-	-	-	-	-

Mass flow in kg/h

10	212	241	296	361	-	-	-	-	-
20	205	235	290	355	429	514	-	-	-
30	196	225	281	345	419	503	600	709	-
40	-	213	268	332	405	488	584	692	-
45	-	-	260	323	396	479	574	682	-
50	-	-	-	314	386	469	563	670	-
55	-	-	-	-	-	457	551	657	-
60	-	-	-	-	-	-	-	-	-

Coefficient of performance (C.O.P.)

10	4.01	4.52	5.53	6.85	-	-	-	-	-
20	2.97	3.37	4.10	4.98	6.07	7.49	-	-	-
30	2.09	2.41	2.99	3.64	4.40	5.31	6.45	7.93	-
40	-	1.62	2.07	2.58	3.14	3.79	4.56	5.48	-
45	-	-	1.69	2.12	2.62	3.18	3.82	4.58	-
50	-	-	-	1.73	2.15	2.63	3.18	3.82	-
55	-	-	-	-	-	2.16	2.63	3.17	-
60	-	-	-	-	-	-	-	-	-

Nominal performance at to = -10 °C, tc = 45 °C

Cooling capacity	15 421	W
Power input	7 258	W
Current consumption	13.61	A
Mass flow	323	kg/h
C.O.P.	2.12	

Pressure switch settings

Maximum HP switch setting	29.7	bar(g)
Minimum LP switch setting	1.4	bar(g)
LP pump down setting	2	bar(g)

Sound power data

Sound power level	74	dB(A)
With acoustic hood	66	dB(A)

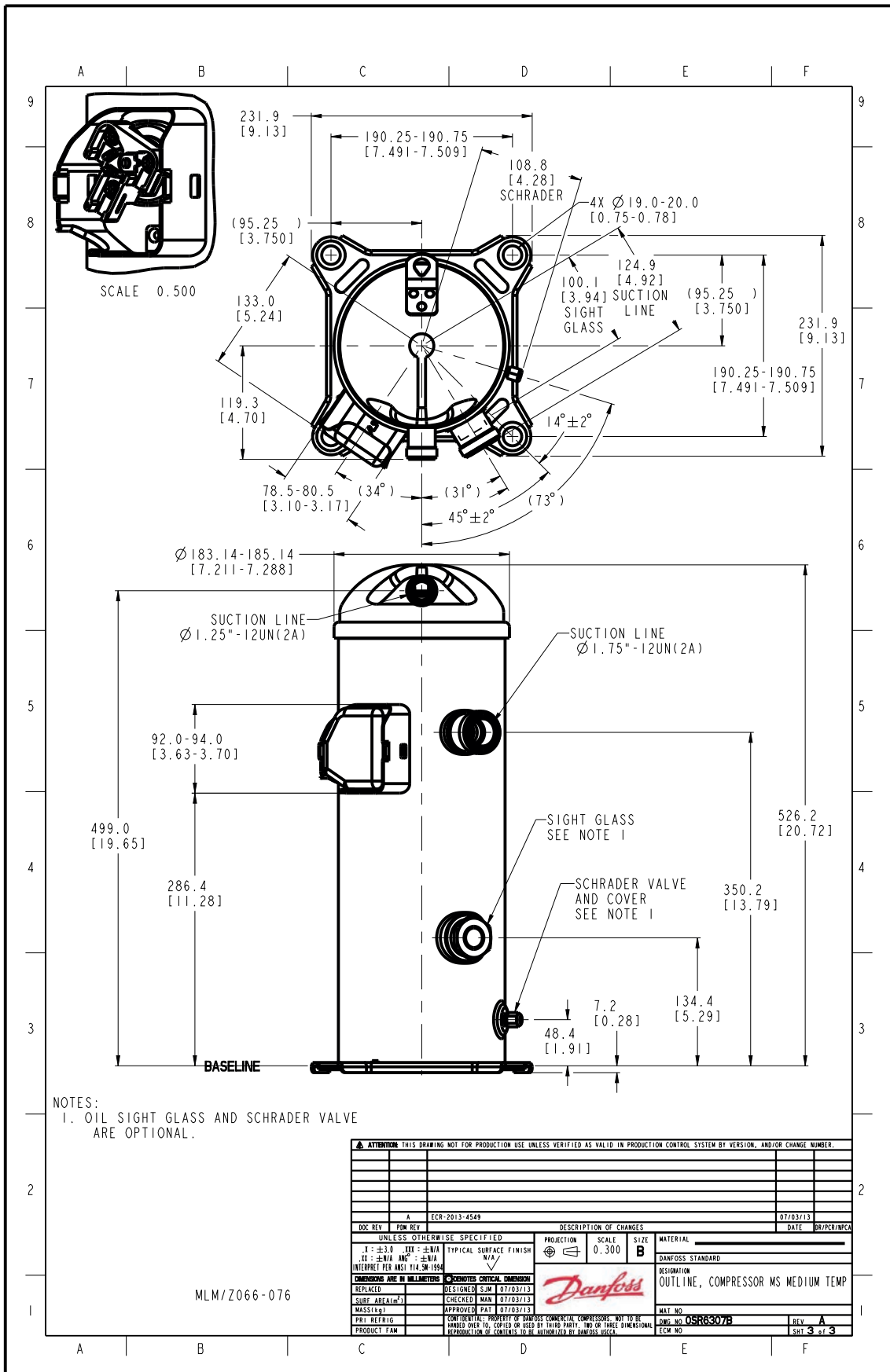
to: Evaporating temperature at dew point

tc: Condensing temperature at dew point

Rating conditions : Superheat = 11.1 K , Subcooling = 8.3 K

All performance data +/- 5%

Danfoss can accept no responsibility for possible errors in catalogues, brochures and other printed material. Danfoss reserves the right to alter its products without notice. This also applies to products already on order provided that such alternations can be made without subsequential changes being necessary in specifications already agreed. All trademarks in this material are property of the respective companies. Danfoss and the Danfoss logotype are trademarks of Danfoss A/S. All rights reserved.



Danfoss can accept no responsibility for possible errors in catalogues, brochures and other printed material. Danfoss reserves the right to alter its products without notice. This also applies to products already on order provided that such alternations can be made without subsequential changes being necessary in specifications already agreed. All trademarks in this material are property of the respective companies. Danfoss, the Danfoss logotype and Maneurop are trademarks of Danfoss A/S. All rights reserved.