

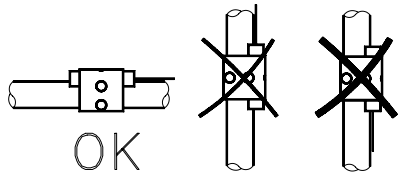
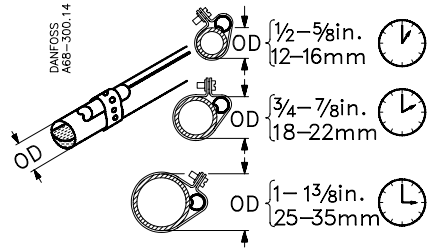


INSTRUCTIONS

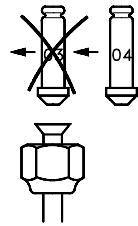
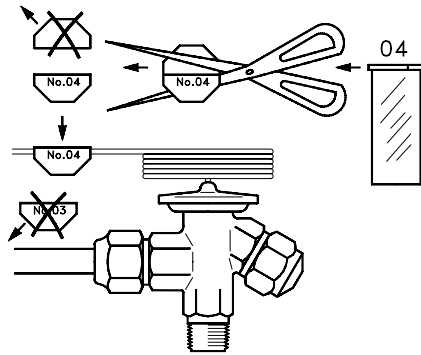
T 2/ TE 2, flare × flare
N-B

068R9706

PB = 28 bar (405 psig)
p_{test} = max. 36 bar (520 psig)



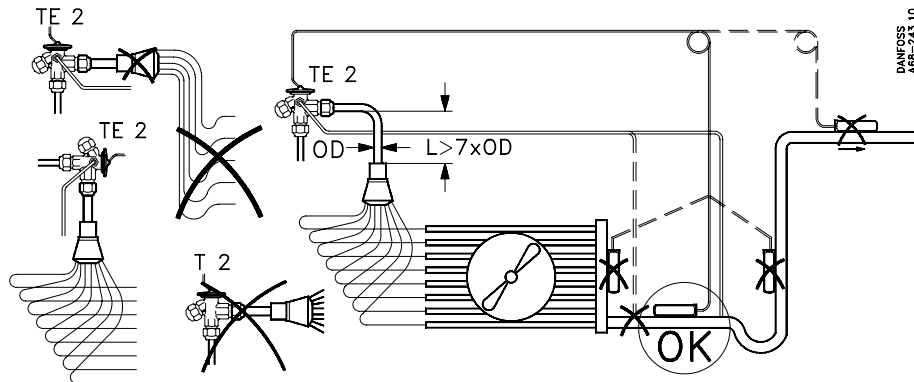
DANFOSS
A68-300.14



DANFOSS
A68-245.10

068R9706

541



DANFOSS
A68-243.10

